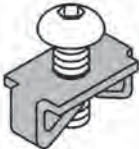
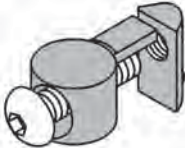

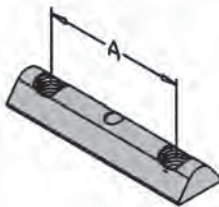
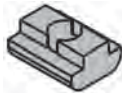
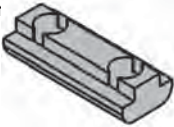





## Basic Fastening Components

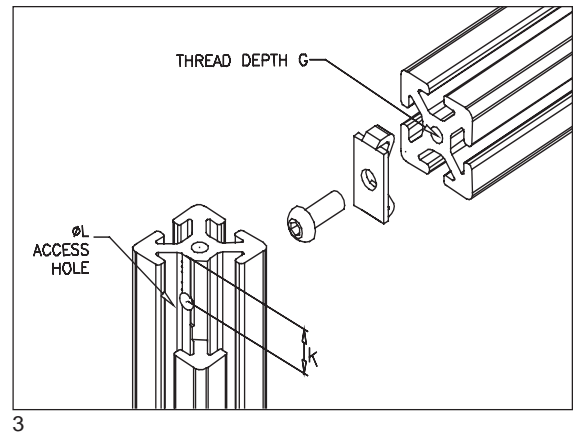
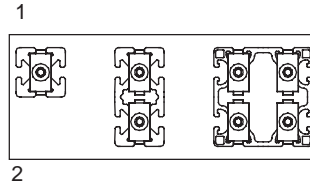
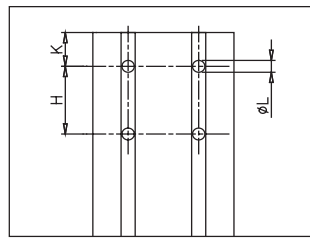
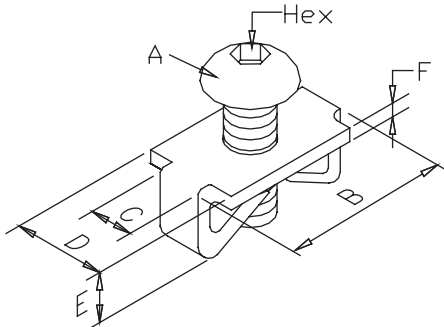
		THREAD SIZE	FOR PROFILE SERIES			
			40	30	28	20
Standard Fastener		M5				20-021
		M8 5/16-18"	20-002, 20-002SS 25-003	20-003, 20-003SS	20-003, 20-003SS	
Universal Fastener		M4				20-040
		M6 M8 5/16-18"	20-004 25-004	20-008	20-005 <sup>1</sup>	
T-Slot Nut, St		M4				20-044
		M5 (#10-32) <sup>4</sup>	20-052	20-052		20-045
Double T-Slot Nut		M6	20-056, 20-056SS	20-056, 20-056SS	20-055 <sup>1</sup>	
		M8	20-058, 20-058SS	20-058, 20-058SS	20-057 <sup>1</sup>	
		1/4-20"	25-001	25-001		
		5/16-18"	25-002	25-002		
HD T-Slot Nut <sup>1,2</sup>		M6	20-060			
		M8	20-064			
Double HD T-Slot Nut <sup>1</sup>		M8	20-063			
Economy T-Slot Nut <sup>1,3</sup>		M4				20-084
		M5 (#10-32) <sup>4</sup>				20-085
Offset Economy T-Slot Nut <sup>1,3</sup>		M6	20-080	20-090	20-090	
		M8	20-081, 20-081SS	20-091	20-091	
		1/4-20"	20-083	20-093	20-093	
		5/16-18"	20-082	20-092	20-092	
T-Slot Nut, Zn		M3	20-033	20-036	20-036	
		M4	20-034	20-037	20-037	
		M5 (#10-32) <sup>4</sup>	20-035	20-038	20-038	

2

Notes:

- 1) T-Slot Nut must be inserted from profile end.
- 2) Retainer Spring 20-0614 is available for HD T-Slot Nuts.
- 3) Retainer Springs 24-719-6 and 24-719-8 are available for M6 (1/4-20") and M8 (5/16-18") Economy T-Slot Nuts.
- 4) Due to the almost identical geometric and dimensional shape of M5 and #10-32 UNF threads, standard #10-32 screws will fit in all M5 T-Slot Nuts.

# Standard Fastening Set



- 1 Location of access holes for hexagon wrench, number dimension represents center dimensions of pilot holes.
- 2 Multiple fastening elements are required for the various profile cross sections.
- 3 Joining and assembly of profiles with the Standard Fastening Set

### Application

Provides power-lock connection and alignment of profiles.  
20-014 is recommended for use on 40 series Light and Closed Slot profiles.

### Technical Data

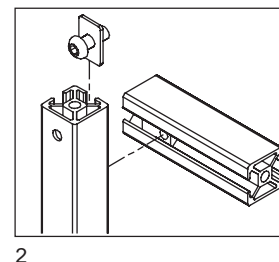
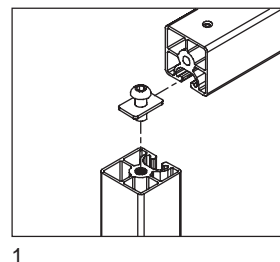
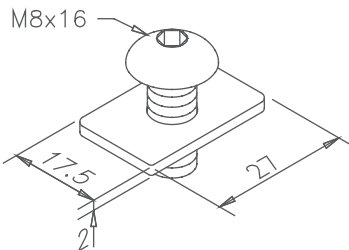
Plate: St, zinc plated or stainless steel (SS)

To make SAE Standard Fastening Set 28 use fastening plate (20-003Z1) and 5/16"-18 x 5/8" BHCS (25-110-5)

Profile Series	Type	Dimensions (mm)											Torque (Nm)	Weight (g)	Part #
		A	Hex	B	C	D	E	F	G	H	K	L			
40	Std	M8x20	5	36	7.8	17	11	2.9	16	40	20	7	25	25	20-002
	SS	M8x20											20	21	20-002SS
	SAE	5/16-18x3/4"	3/16"	32	46	2.3	2.9	16	30	15	25,20	25	25	41	25-003
	Light	M8x18	25										41	20-014	
50	Std	M8x20	5	46	25,20	27	20-051								
30	Std	M8x18	23.7	7.8	16	8.9	1.9	16	30	15	25	15	15	20-003	
	SS	M8x16										20	14	20-003SS	
28	Std	M8x18	23.7	7.8	16	8.9	1.9	16	28	14	25	15	15	20-003	
	SS	M8x16										20	14	20-003SS	
20	Std	M5x12	3	19	4.8	10	4.5	1.1	10	20	10	4.3	4.5	5	20-021

Add "Z1" to part number for a fastening plate without screw (i.e. 20-002Z1)  
Inquire about quantity discounts

# Flat Plate Fastening Set



- 1 Connecting Closed Slot Profiles
- 2 Using M8x10 BHCS (24-110-8) and Flat Plate (20-028Z1) for connecting 28 series profiles

### Application

Flat Plate Fastening Set is suitable for connecting two profiles at 90° when Standard Fastener can not be used.

### Technical Data

St, zinc plated  
Tightening torque: 25 Nm

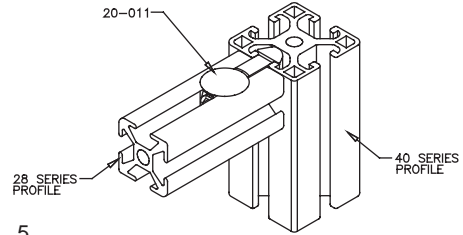
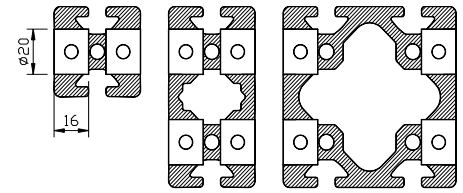
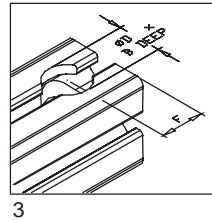
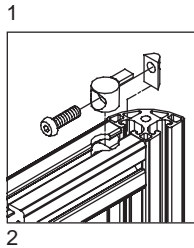
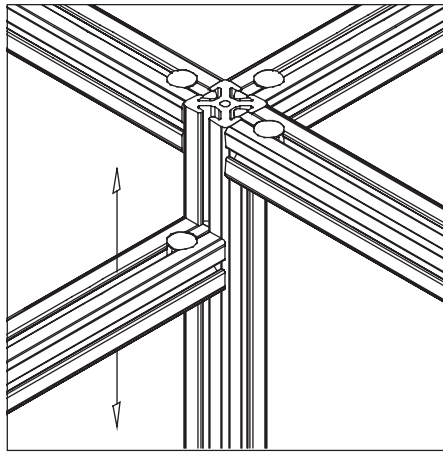
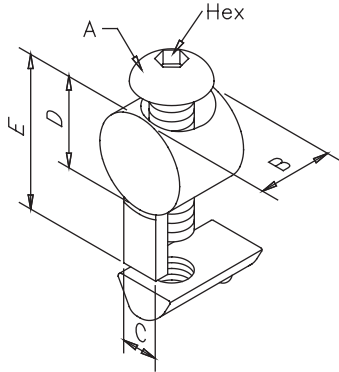
### Description

Flat Plate Fastening Set  
Flat Plate (w/o screw)

Unit	Weight	Part #
1 set	13 g	20-028
1 pc	6 g	20-028Z1

Inquire about quantity discounts

# Universal Fastening Set



- 1-2 90° connection of facing profiles movable in T-slot
- 3 Step bore dimensions
- 4 Structural applications require one fastener for each connecting T-slot on both sides of the profile
- 5 Univ. Fast. Set 20-011 for attaching 28 series profile to 40 series profile

## Application

For 90° profile connections and movable connections. Ideal for retrofit/additions to existing frames.  
Fastening set 20-011 used to connect 28 series profiles to 40 series profiles.  
Fastening set 28 20-005: T-slot nut 28 must be inserted at end of profile and slid to proper position.

## Technical Data

Zn cast, galvanized  
Includes screw and T-slot Nut, St.  
Tightening torque  
40 & 50 series: 25 Nm  
30 & 28 series: 14 Nm  
20 series: 3 Nm

Profile Series	Dimensions (mm)							Weight (g)	Part #
	A	Hex	B	C	D	E	F		
40, 50	M8x30 BHCS	5	16	8	20	33.8	20	41	20-004
	5/16-18x1/4" BHCS	3/16"				33.8		41	25-004
28	M6x27 SHCS	5	11	8	20	31.3	20	30	20-005
28/40	M6x30 SHCS					33.5		36	20-011
30	M6x27 SHCS					31.3		31	20-008
20	M4x14 SHCS	3	8.5	5	12	17.2	10	7	20-040

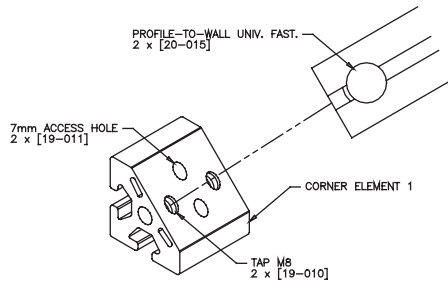
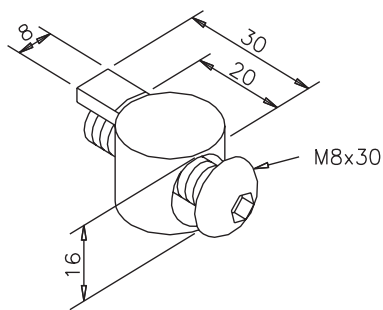
Universal Zinc Casting 40 (w/o screw and T-nut)  
Universal Zinc Casting 28 (w/o screw and T-nut)

20-004Z1  
20-005Z1

Inquire about quantity discounts

2

## Profile-to-Wall Fastening Set



### Application

For connection of 40 series profiles to other parts without T-slots, particularly Corner Elements and Reversing Units.

### Technical Data

Zn cast, galvanized  
Includes M8x30 BHCS and M8 rib spring washer  
Tightening torque: 25 Nm

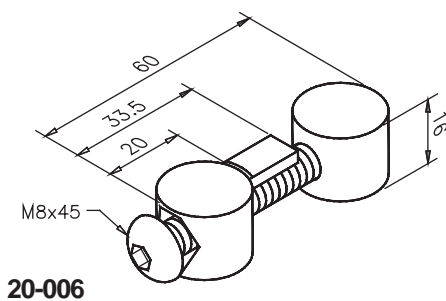
### Description

Profile-to-Wall Fastening Set M8  
Profile-to-Wall Casting (w/o screw, washer)

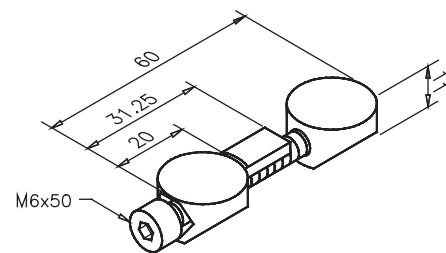
Unit	Weight	Part #
1 set	32 g	20-015
1 pc	20 g	20-015Z1

2

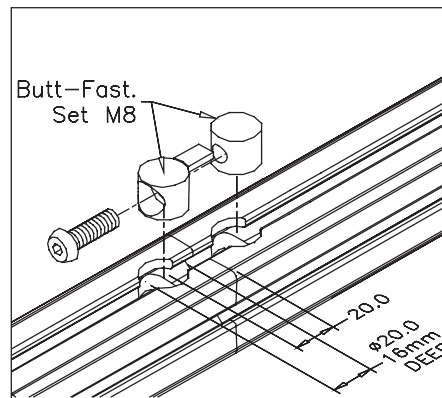
## Butt-Fastening Set



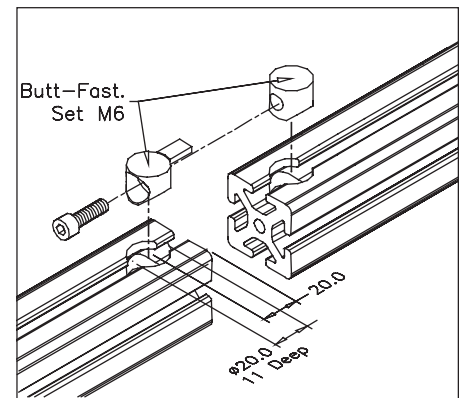
20-006



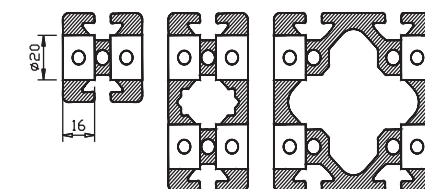
20-012



1



2



3

1-2 Processing of profiles and assembly of the connection.

3 The number of fasteners required is determined by the size of the profile.

### Application

For end-face fastening (lengthening) of profiles. Use M8 Fastener for 40 and 50 series profiles. Use M6 fastener for 28 and 30 series profiles and pneumatic applications on 40 series profiles.

### Technical Data

Zn cast, galvanized  
20-006 includes M8x45 BHCS  
20-012 includes M6x50 SHCS and M6 hex nut  
Tightening torque: 20-006 = 25 Nm  
20-012 = 14 Nm

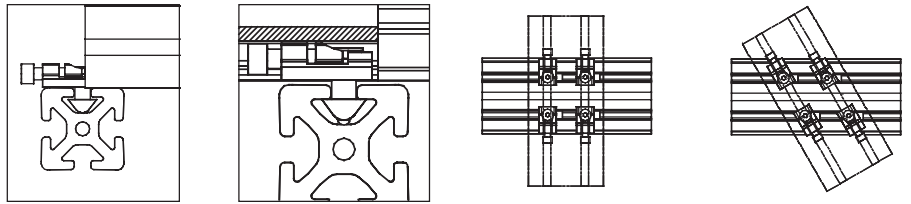
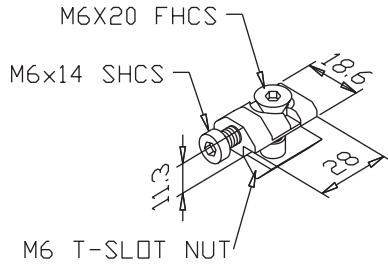
### Description

Butt-Fastening Set M8  
Butt-Fastening Set M6

Unit	Weight	Part #
1 set	59 g	20-006
1 set	45 g	20-012

Inquire about quantity discounts

# Parallel Clamp



1-2 Installation

3 Profiles at 90°

4 Profile at angles

### Application

For parallel clamping 40 series profiles in any angular position. No machining of profiles is necessary.

### Technical Data

St, stainless  
M6x20 FHCS, M6x14 Low socket head screw, T-slot nut M6  
Tightening torque: 5.5 Nm

### Description

Parallel Clamp 40

### Unit

1 set

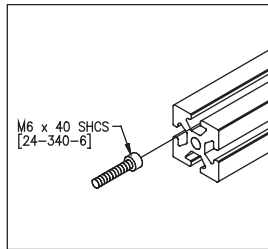
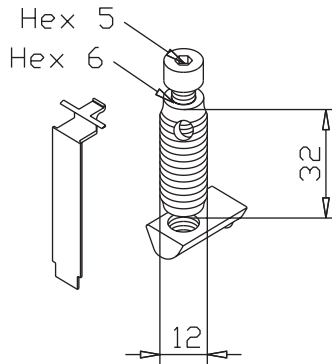
### Weight

37 g

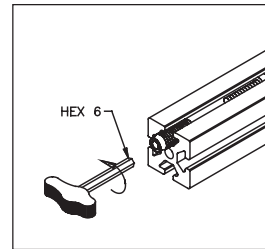
### Part #

20-017

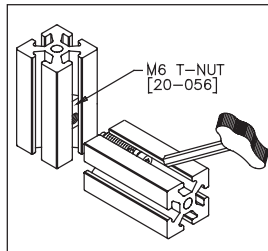
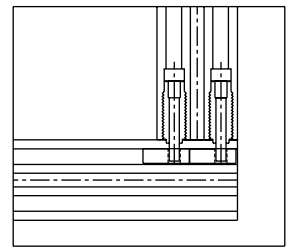
# Self-Tapping Connector



1



2



3

1 Slide screw into slot of profile

2 Install the self-tapping fastener with 6mm hexagon wrench

3 Insert the T-slot nut and attach the connector with 5mm hexagon wrench. Install plastic cover

### Application

For right angle attachment of 40 series profiles. Particularly suitable for retrofitting to existing structures, as no servicing is needed. The self-tapping fastener is inserted into end of any T-slot from the end face. Left handed threads.

### Technical Data

St, zinc plated self-tapping fastener  
M6x40 SHCS, M6 T-slot nut 40, black nylon cover.  
Tightening torque: 14 Nm

### Description

Self-Tapping Connector 40

### Unit

1 set

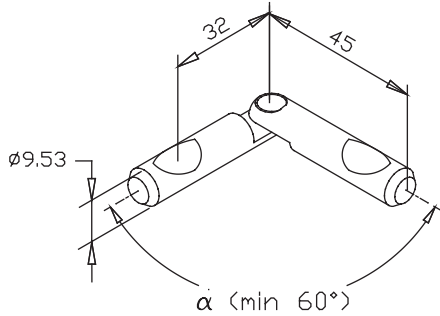
### Weight

34 g

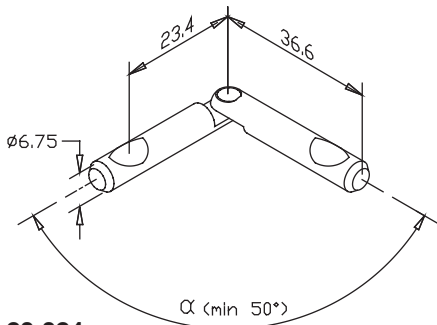
### Part #

20-019

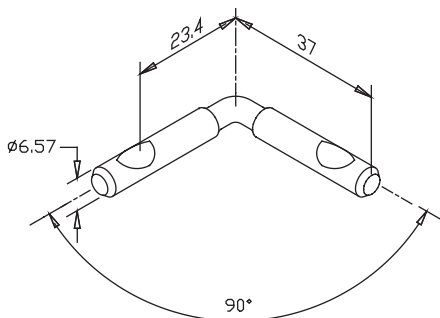
# Mitre Connector



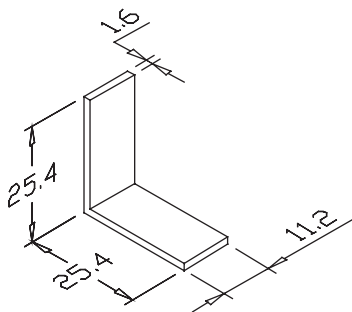
20-022



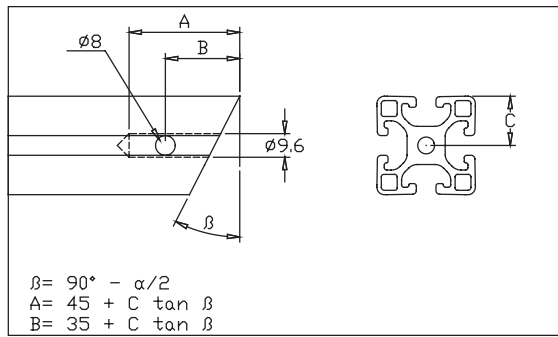
20-024



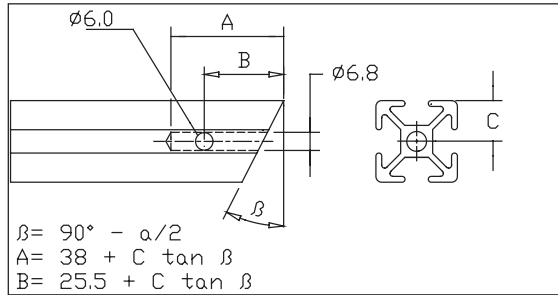
20-128



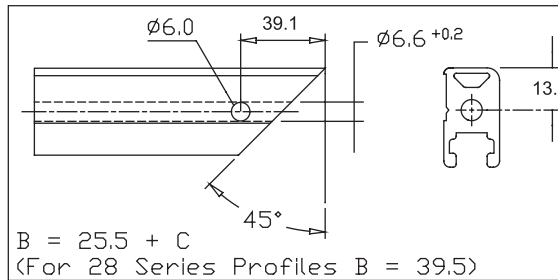
20-127



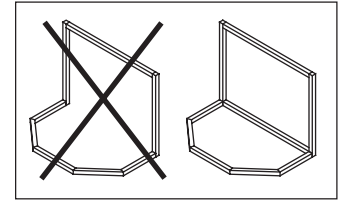
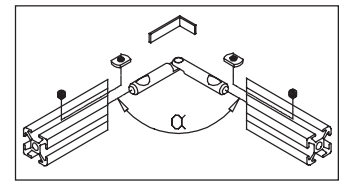
1 Machining of 40x40 profile for Mitre Connector HD 20-022



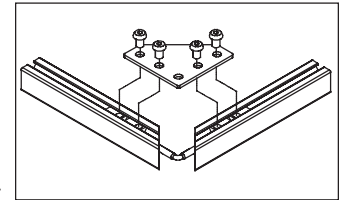
2 Machining of 28x28 profile for Mitre Connector MD 20-024



3 Machining of 32x18 Mono-Slot profile for 90° Mitre Connector 20-128. See profile section for more application examples.



4 Mitre Connectors should not be used as structural fasteners



5 Use of Joining Plates adds rigidity to connections

## Application

For connecting guarding applications at various angles.

20-022 used with 40 series profiles.  
20-024 used with 30, 28 series profiles.

20-128 used with 30, 28 series profiles and 32x18 mono-slot profile. It is inserted into 6.8mm pilot hole of the profile without machining. Requires two holes for the set screw.

Use mitre bracket 20-127 to prevent twisting of connected 32x18 mono-slot profiles. (See page 36 for application details)

## Description

- Mitre Connector HD w/ 40 Fast. Set
- Mitre Connector MD w/ 28 Fast. Set
- Mitre Connector MD
- 90° Mitre Connector w/ 28 Fast. Set
- 90° Mitre Connector
- Mitre Bracket

## Technical Data

St, zinc plated

40 Fastening Set includes two M8 Economy T-slot nuts 40 and two M8x16 Cone point set screws.

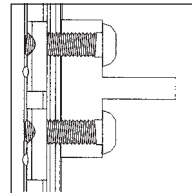
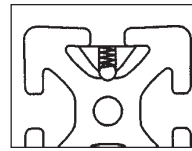
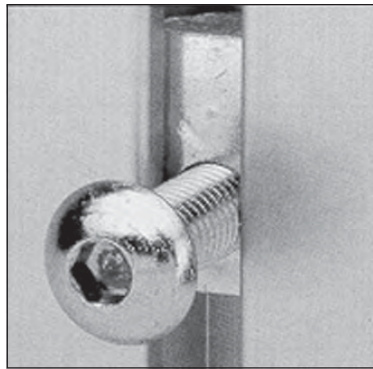
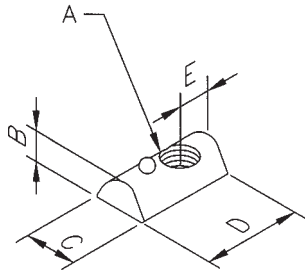
28 Fastening Set includes: two M6 Economy T-slot nuts 28 and two M6x12 Cone point set screws.

Mitre Bracket: Al, anodized

Loctite® Thread Locker No. 262 recommended to secure setscrews

Unit	Weight	Part #
1 set	67 g	20-022
1 set	31 g	20-024
1 pc	17 g	20-024Z1
1 set	31 g	20-128
1 pc	16 g	20-128Z1
1 pc	4 g	20-127

# T-Slot Nut St



Locating the T-slot nut using the spring/ball locking feature for easy locating and mounting on vertical profiles.

### Application

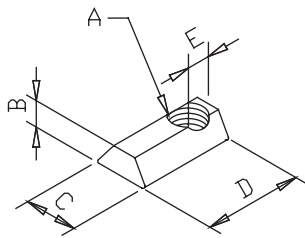
Universal mounting element for profiles. 40, 30 and 20 series nuts can be inserted into profile T-slot at any location. Positive location using ball/spring thrusting mechanism.

### Technical Data

Metric - clear zinc plated  
English - black zinc plated  
Parts designated with "SS" at the end are stainless steel

\* Due to the almost identical geometric and dimensional shape of M5 and #10-32 UNF threads, standard #10-32 screws will fit in all M5 T-slot nuts.

28 series T-slot nut slides into profile slot from end face of profile.

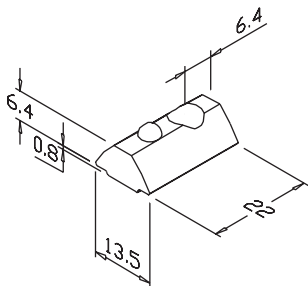


20-055  
20-057

Profile Series	Dimensions (mm)					Weight (g)	Part #
	A	B	C	D	E		
40, 30	M5*	7.3	13.8	23	7.5	11	20-052
	M6				5.5	11	20-056
					6.5	11	20-056SS
	M8				7.5	10	20-058
					6.5	11	20-058SS
	1/4"-20				7.5	10	25-001
5/16"-18		7.5	9	25-002			
28	M6	7.3	13.8	23	5.5	10	20-055
	M8						20-057
20	M4	4	8	11.5	4	1	20-044
	M5*						20-045

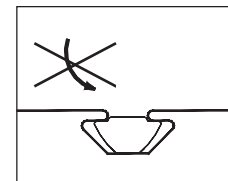
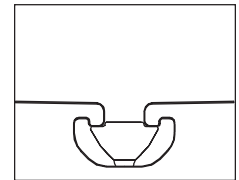
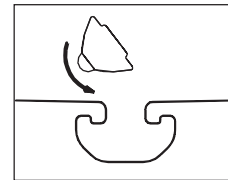
Inquire about quantity discounts

# Self-Aligning T-Slot Nut



### Application

Rolls into the profile T-slot 40 at any location. Held in position using spring-loaded ball. Raised area fits into T-slot to prevent twisting. The nut should not be used in applications where the raised area might interfere with other object such as alignment tabs on universal fasteners, hinges, etc. The nut also fits T-slot 28 and 30 but must be inserted from the profile end.



### Technical Data

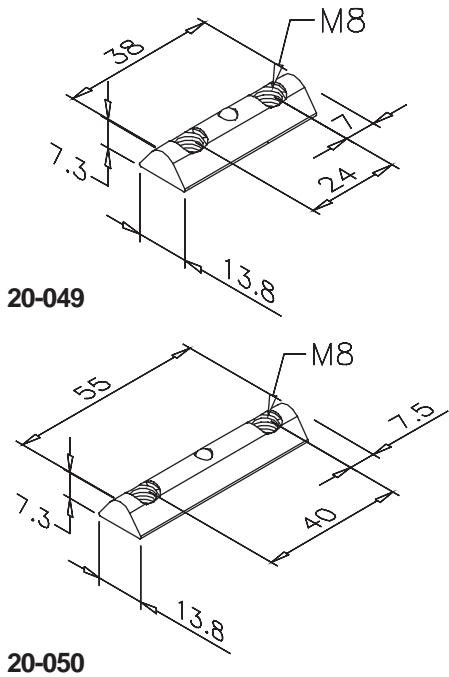
St, zinc plated

### Description

Self-Aligning T-Slot Nut 40, M6  
Self-Aligning T-Slot Nut 40, M8

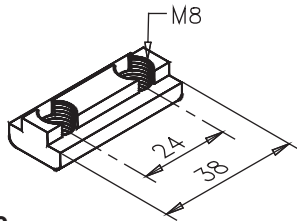
Unit	Weight	Part #
1pc	10 g	20-066
1pc	10 g	20-068

# Double T-Slot Nut

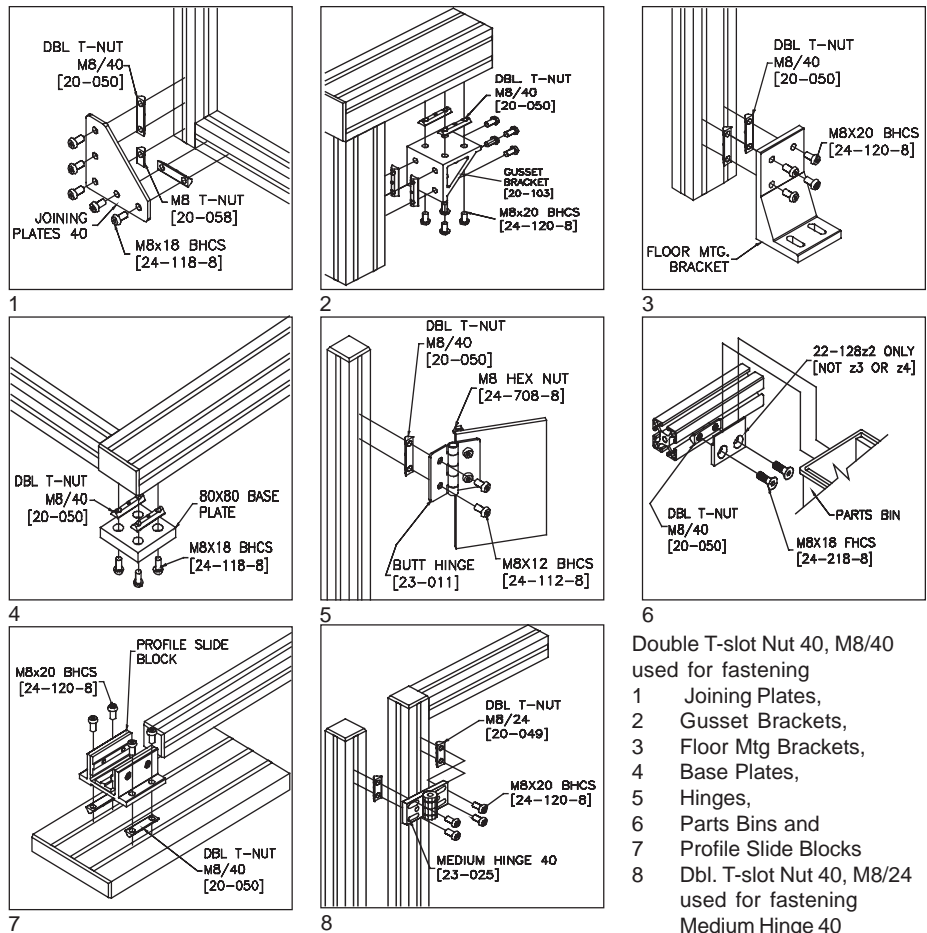


20-049

20-050



20-063



Double T-slot Nut 40, M8/40 used for fastening

- 1 Joining Plates,
- 2 Gusset Brackets,
- 3 Floor Mtg Brackets,
- 4 Base Plates,
- 5 Hinges,
- 6 Parts Bins and
- 7 Profile Slide Blocks
- 8 Dbl. T-slot Nut 40, M8/24 used for fastening Medium Hinge 40

## Application

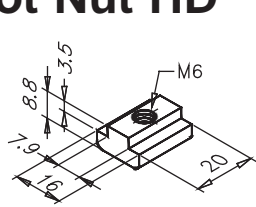
Universal mounting element for wide variety of applications where fastening hardware requires two M8 T-slot nuts. Roll-in T-slot nuts 20-049 and 20-050 can be inserted into the profile T-slot at any location, use with 40 and 30 series profiles. Heavy duty T-slot nut 20-063 must be inserted from the profile end, use with 40 series profiles only.

## Technical Data

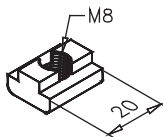
St, zinc plated

Description	Unit	Weight	Part #
Double T-Slot Nut M8/24	1 pc	15 g	20-049
Double T-Slot Nut M8/40	1 pc	23 g	20-050
Double HD T-Slot Nut 40	1 pc	25 g	20-063

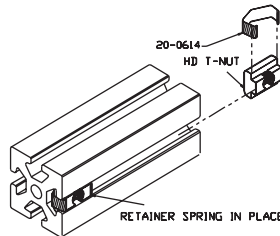
# T-Slot Nut HD



20-060



20-064



Description	Unit	Weight	Part #
T-Slot Nut HD, M6	1 pc	13 g	20-060
T-Slot Nut HD, M8	1 pc	13 g	20-064
Retainer Spring for HD T-Slot Nut	pkg of 100		20-0614

## Application

For loads requiring heavy duty support on 40 series heavy profiles. Recommended for mounting Bearing Units.

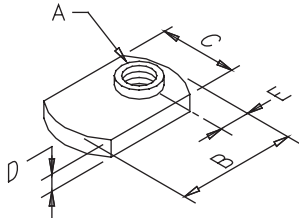
## Technical Data

St, zinc plated

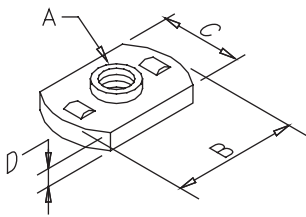
Inquire about quantity discounts



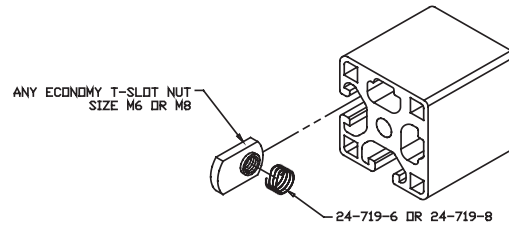
# Economy T-Slot Nut



**Standard**



**Offset**



**Application**

Economic solution for fastening various hardware to profiles. Economy T-slot nut slides into profile from end face. T-slot nuts can be secured in vertical positions with compression spring.

**Technical Data**

Steel,  
Metric - zinc plated  
English - black oxide  
SS - stainless steel

\* Due to the almost identical geometric and dimensional shape of M5 and #10-32 UNF threads, standard #10-32 screws will fit in all M5 T-slot nuts.

	Profile series	Dimensions (mm)				Weight (g)	Part #
		A	B	C	D		
Standard	40	M6	25	16	3.6	10	20-080
		M8					20-081
		M8					20-081SS
		5/16-18					20-082
		5/16-18					25-082SS
		1/4-20					20-083
	30, 28	M6	20.5	13	3.2	5	20-090
		M6					20-090SS
		M8					20-091
		5/16-18					20-092
		1/4-20					20-093
		1/4-20					25-093SS
20	M4	16	9.6	2.4	1	20-084	
	M5*					20-085	

	Profile series	A	B	C	D	E	Weight	Part #
		Offset	40	M8	25	16	3.6	7.1
		5/16-18						20-182
	30, 28	M6	20.5	13	3.2	6.4	5	20-190
		1/4-20						20-193

**Description**

Compression Spring, for Economy T-slot Nuts M6  
Compression Spring, for Economy T-slot Nuts M8

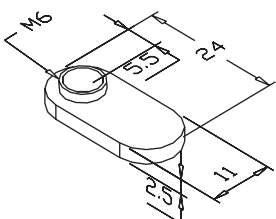
**Unit**

pkg/100  
pkg/100

**Part #**

24-719-6  
24-719-8

# Economy Drop-In T-Slot Nut



**Application**

For attaching small parts and accessories to 40, 30 and 28 series profiles. Can be inserted into T-slot at any location. For light duty applications only.

**Technical Data**

St, zinc plated

**Description**

Economy Drop-In T-Slot Nut, M6

**Unit**

1 pc

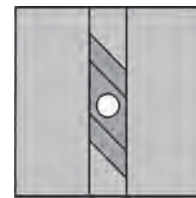
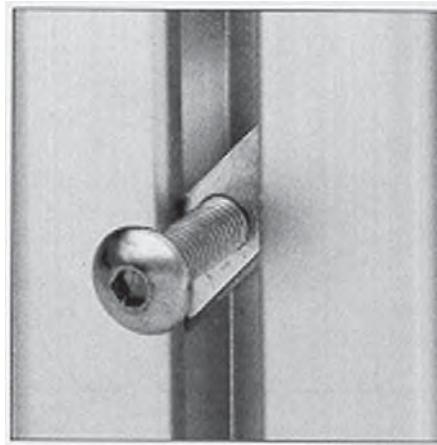
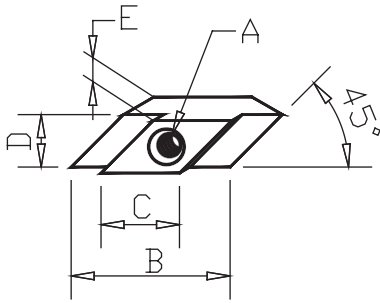
**Weight**

4 g

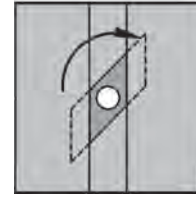
**Part #**

20-172

## T-Slot Nut Zn



1 Insert



2 Turn

For positioning on vertical profiles, the T-slot Nut is preset. Fastening is effected by tightening the tapered T-slot Nut Zn.



3 Fasten

### Application

Universal mounting element. Wedges into the profile when tightened. Can be inserted into T-slot at any position.

### Technical Data

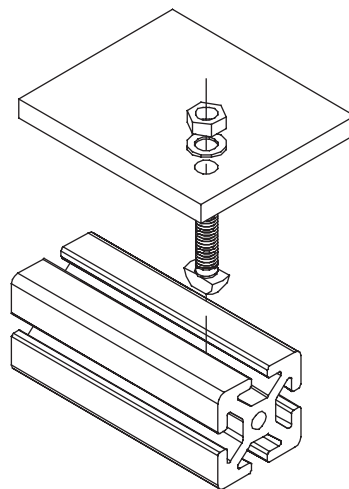
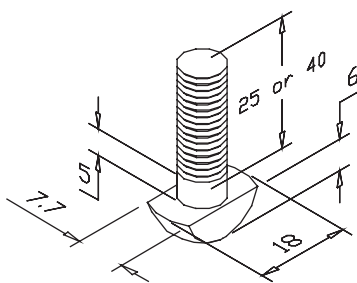
Zn cast, galvanized

\* Due to the almost identical geometric and dimensional shape of M5 and #10-32 UNF threads, standard #10-32 screws will fit in all M5 T-slot nuts.

Series	Dimensions (mm)					Weight (g)	Part #
	A	B	C	D	E		
40	M3	27	8.1	7.9	7.7	5	20-033
	M4						20-034
	M5*						20-035
30, 28	M3	27	7.9	7.9	6	5	20-036
	M4						20-037
	M5*						20-038

Inquire about quantity discounts

## T-Bolt 40



### Application

Conveniently threaded stud with T-slot nut for insertion into T-slots of 40 series profiles. Used to attach equipment and fixtures to profiles.

### Technical Data

St, zinc plated

### Description

T-Bolt 40 M8x25  
T-Bolt 40 M8x40

### Unit

1 pc  
1 pc

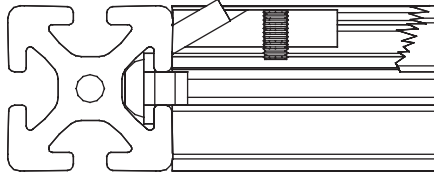
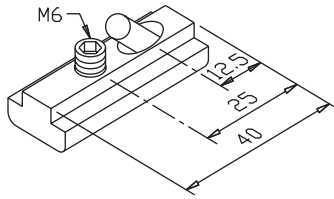
### Weight

1 g  
2 g

### Part #

24-425-8  
24-440-8

## Pin Element



### Application

Prevents dislocation under high loads on 40 series profiles. Recommended use in pairs. Drill profiles for 5.9mm diameter.

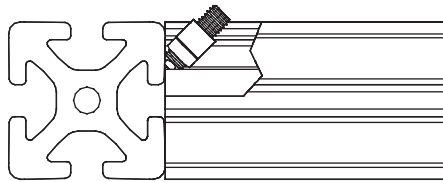
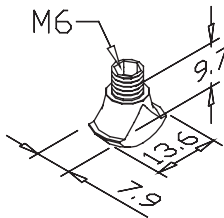
### Technical Data

St, zinc plated  
Includes cup point set screw M6x12 and pull dowel, 6x16 DIN 7979. Dislocation stability of the connection per element = max. 3000N (675 lbs.)

**Description**  
Pin Element

Unit	Weight	Part #
1 set	34 g	20-020

## Anodize Breaker



### Application

For penetrating anodizing and providing grounding continuity between 40, 50 and 30 series profiles.

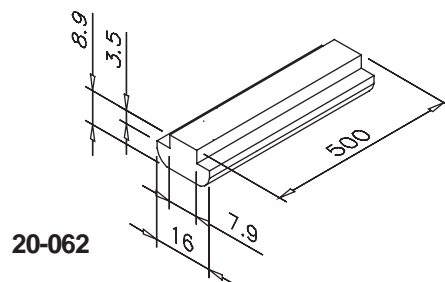
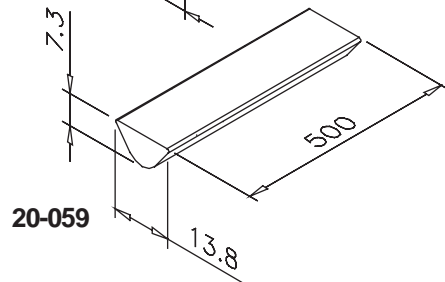
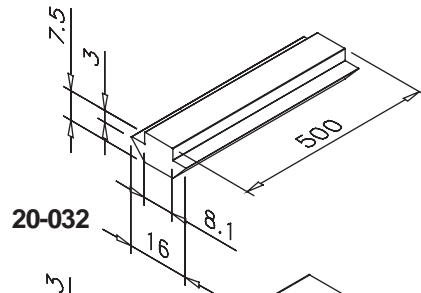
### Technical Data

St, galvanized with dog point set screw M6x12

**Description**  
Anodize Breaker

Unit	Weight	Part #
1 pc	3 g	20-070

## T-Slot Bar



### Application

Fastening element for easy attachment of valves, limit switches and peripherals. Bar stock for custom length T-slot nuts on 40 series profiles. T-slot Bar St (20-059) also used on 30 series profiles.

### Technical Data

20-032: Al, clear anodized  
Max. tapped hole: M5 (#10-32)  
20-059, 20-062: St  
Max. tapped hole: M8 (5/16")

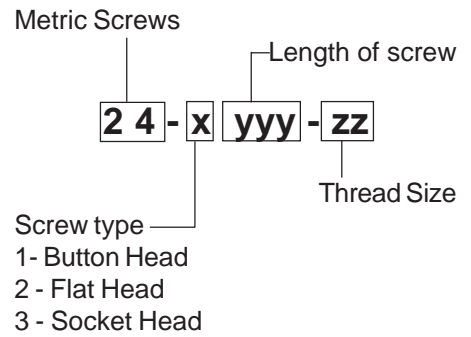
**Description**  
T-Slot Bar Al  
T-Slot Bar St  
T-Slot Bar HD

Unit	Weight	Part #
1 pc	.11 kg	20-032
1 pc	.26 kg	20-059
1 pc	.42 kg	20-062

# Metric Screws (Hexagon Socket)



The chart below shows the standard stocked screws. To determine the part number of a screw needed refer to the formula. Partly/fully threaded. Properties class 8.8 or better. **Finish may vary between Zinc plated or black oxide.** Some screws available in Stainless Steel. Check with your local Service Center or current Price List for a complete listing.

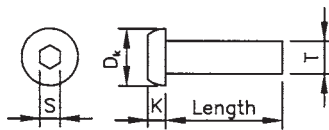


**Order unit: pkg of 100**

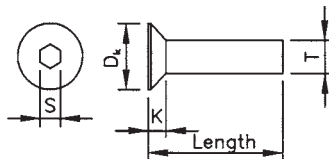
Example: 24-120-8 Qty 0.15 = M8x20 Button Head Cap Screw - 15 pcs.

Length mm	M3x0.5			M4x0.7			M5x0.8			M6x1.0			M8x1.25			M10x1.5		
8				X	X		X			X								
10	X		X	X	X		X		X	X	X		X					
12			X	X	X		X	X	X	X	X	X	X	X				
14										X	X	X	X	X				
16		X			X		X	X		X	X	X	X	X	X			
18													X	X				
20		X	X		X	X	X		X	X	X	X	X	X	X	X		X
22															X			
25			X		X		X	X	X	X	X	X	X	X	X	X		X
27												X						
28														X				
30			X			X	X	X	X	X	X	X	X	X			X	
33												X						
35							X		X	X	X	X		X				
40								X		X	X	X	X	X		X		X
45							X				X	X	X	X				
50											X	X	X	X				X
60													X	X				
80											X	X	X	X				
90											X							
100								X			X		X	X				
120											X							

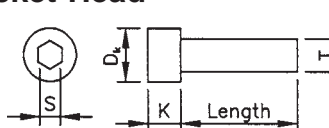
## Button Head



## Flat Head



## Socket Head



## Metric Screw Dimensions (mm)

Thread	Button Head			Flat Head			Socket Head		
	Dk	K	S	Dk	K	S	Dk	K	S
M3	5.7	1.65	2	6	1.7	2	5.5	3	2.5
M4	7.6	2.2	2.5	8	2.3	2.5	7	4	3
M5	9.5	2.75	3	10	2.8	3	8.5	5	4
M6	10.5	3.3	4	12	3.3	4	10	6	5
M8	14	4.4	5	16	4.4	5	13	8	6
M10	17.5	5.5	6	20	5.5	6	16	10	8
M12	21	6.6	8	24	6.5	8	18	12	10

# Washers, Hexagon Nuts, Set Screws



**Flat Washer**  
24-700-x



**Lock Washer**  
24-707-x



**Spring Washer**  
24-708-x



**Cone Point Set Screw**  
24-5xx-xC



**Dog Point Set Screw**  
24-5xx-xD



**Rib Spring Washer**  
24-718-x



**Lock Nut**  
24-716-x



**Flat Point Set Screw**  
24-5xx-xF



**Cup Point Set Screw**  
24-5xx-xU

## Washers

Part #	Unit	Part #
Flat Washer M5	pkg/100	24-700-5
Flat Washer M6	pkg/100	24-700-6
Flat Washer M8	pkg/100	24-700-8
Lock Washer M8	pkg/100	24-707-8
Spring Washer M8	pkg/100	24-708-8
Spring Washer M10	pkg/100	24-708-10
Safety Spring Washer M8	pkg/100	24-709-8
Rib Spring Washer M8	pkg/100	24-718-8

## Hexagon Nuts

Hex Nut M3	1 pc	24-706-3
Hex Nut M4	1 pc	24-706-4
Hex Nut M5	1 pc	24-706-5
Hex Nut M6	1 pc	24-706-6B
Hex Nut M8	1 pc	24-706-8
Hex Nut M10	1 pc	24-706-10
Hex Nut M12	1 pc	24-706-12
Hex Nut M16	1 pc	24-706-16
Lock Nut M6	1 pc	24-716-6
Lock Nut M8	1 pc	24-716-8

## Setscrews (Hexagon Socket)

Part #	Unit	Part #
Cone Point Set Screw M5x6	1 pc	24-506-5C
Cone Point Set Screw M6x8	1 pc	24-508-6C
Cone Point Set Screw M6x10	1 pc	24-510-6C
Cone Point Set Screw M6x12	1 pc	24-512-6C
Cone Point Set Screw M8x10	1 pc	24-510-8C
Cone Point Set Screw M8x16	1 pc	24-516-8C
Dog Point Set Screw M6x12	1 pc	24-512-6D
Dog Point Set Screw M8x30	1 pc	24-530-8D
Flat Point Set Screw M5x6	1 pc	24-506-5F
Flat Point Set Screw M5x16	1 pc	24-516-5F
Flat Point Set Screw M6x6	1 pc	24-506-6F
Flat Point Set Screw M6x12	1 pc	24-512-6F
Flat Point Set Screw M6x16	1 pc	24-516-6F
Flat Point Set Screw M8x10	1 pc	24-510-8F
Flat Point Set Screw M10x25	1 pc	24-525-10F
Cup Point Set Screw M8x8	1 pc	24-508-8U

# English Screws

## (Hexagon Socket)



### Description

Description	Unit	Part #
Button Head Screw #10-32 x 5/8"	1 pc	25-110-2
Button Head Screw 1/4-20 x 1/2"	1 pc	25-108-4
Button Head Screw 1/4-20 x 5/8"	1 pc	25-110-4
Button Head Screw 1/4-20 x 3/4"	1 pc	25-112-4
Button Head Screw 5/16-18 x 1/2"	1 pc	25-108-5
Button Head Screw 5/16-18 x 5/8"	1 pc	25-110-5
Button Head Screw 5/16-18 x 3/4"	1 pc	25-112-5
Button Head Screw 5/16-18 x 1 1/4"	1 pc	25-118-5