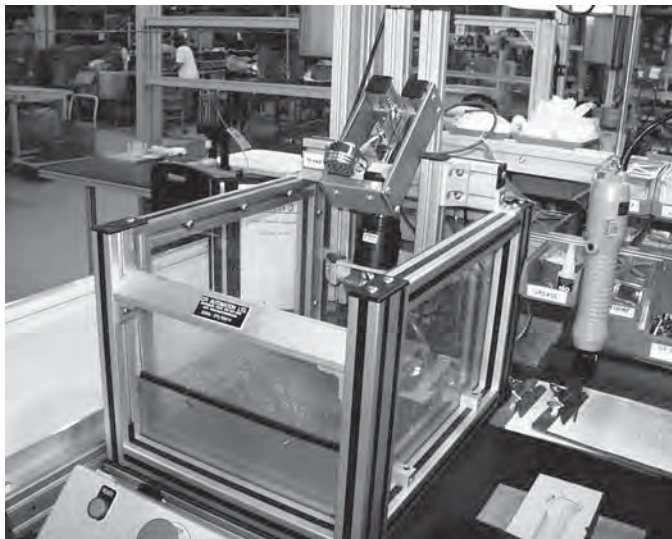
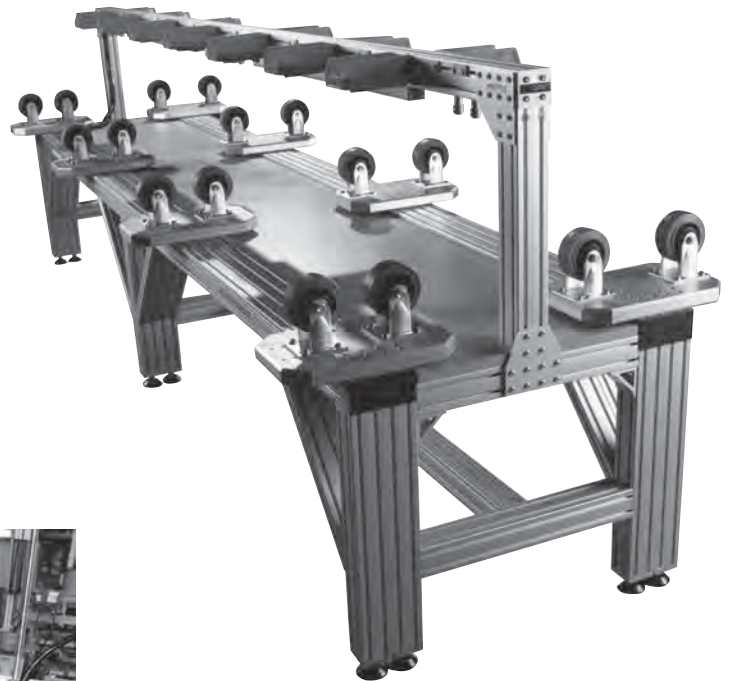
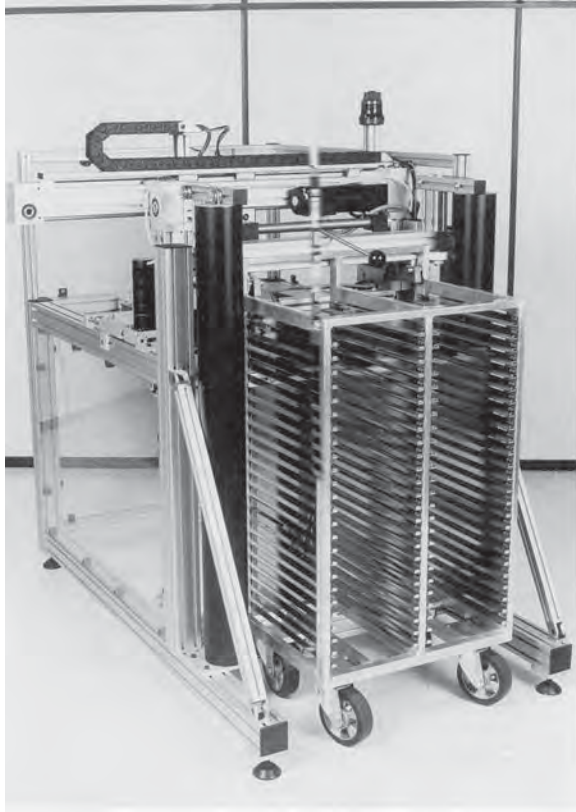
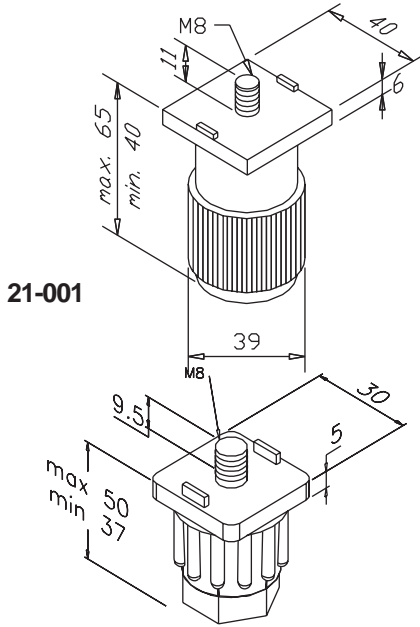


# Leveling Feet, Base Plates and Casters



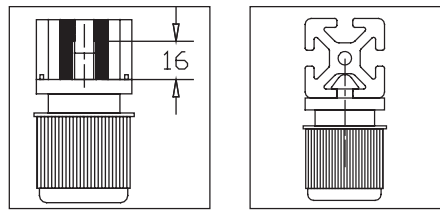
2

# Leveling Foot



21-001

21-001-30



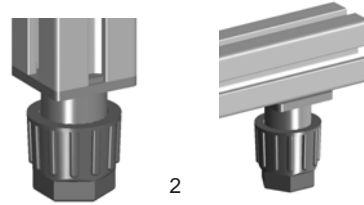
- 1 Fastening to profile end
- 2 Fastening in T-slot of profile

**Description**  
Leveling Foot 40

**Application**  
For leveling tables and light equipment. Ratchet-type height adjustment requires no tools. For use with 40 series profiles.

**Technical Data**  
Glass-filled nylon, black  
Spindle, nut and disk: St, galvanized  
Max. load - 1500 N (337 lbs)  
Adjustment range 25mm (1")

Unit	Weight	Part #
1 pc	.68 kg	21-001



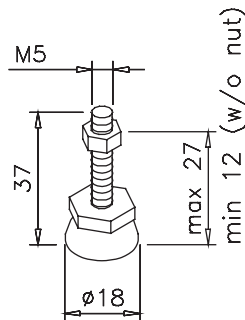
- 1 Fastening to profile end (M8 Tap is required).
- 2 Side fastening in T-slot. Easy mounting by using a M8 T-slot nut, no drilling necessary.

**Application**  
For leveling tables and light equipment. Height can be adjusted either by hand or with tools.

**Technical Data**  
Glass-filled nylon, black  
Spindle, nut and disk: St, zinc plated  
Max. load - 1500 N (337 lbs)

**Description**  
Leveling Foot 30

Unit	Weight	Part #
1 pc	47 g	21-001-30



21-007

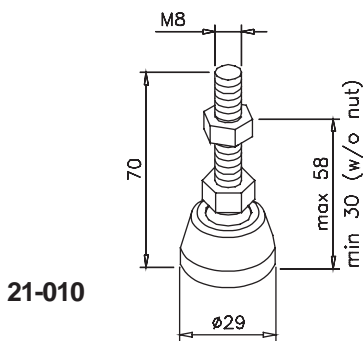
**Application**  
For leveling of light duty structures constructed of 20 series profiles.

**Technical Data**  
Base: glass-filled nylon, black  
Spindle and nut: St, galvanized  
Max. load - 1000 N (225 lbs)

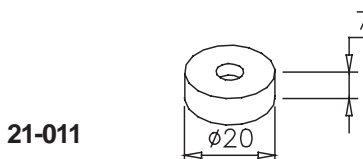
**Description**  
Leveling Foot 20

Unit	Weight	Part #
1 pc	12 g	21-007

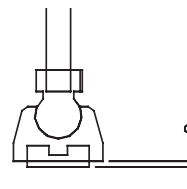
# Knuckle Foot 30/28



21-010



21-011



Rubber insert 21-011 in Knuckle Foot 21-010

**Application**  
Adjustable height leveling foot for structures constructed of 30 or 28 series profiles. Rubber Insert is for vibration-dampening and floor protection.

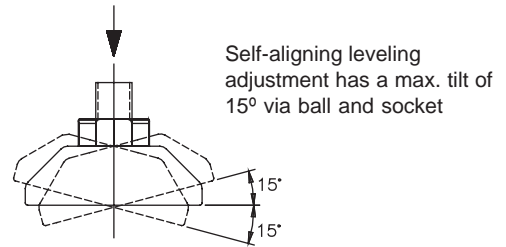
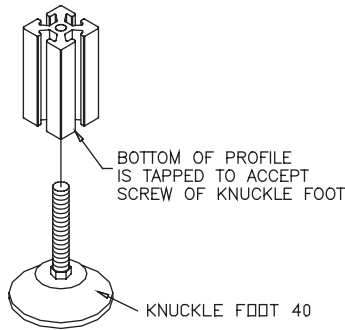
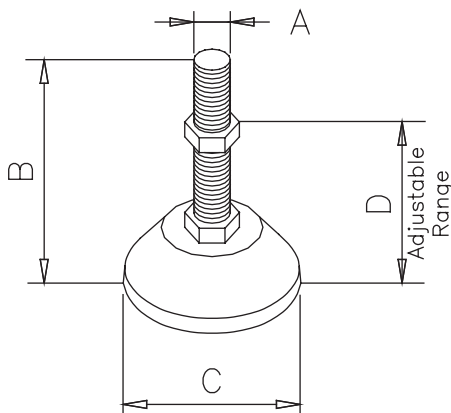
**Technical Data**  
Base: glass-filled nylon, black  
Spindle and nut: St, galvanized  
Max. load - 3000 N (674 lbs)

21-011: Rubber, black  
Hardness 80° Shore A  
Oil and water resistant

**Description**  
Knuckle Foot 30/28  
Rubber Insert 30/28

Unit	Weight	Part #
1 pc	20 g	21-010
1 pc	2 g	21-011

# Knuckle Foot 40



### Application

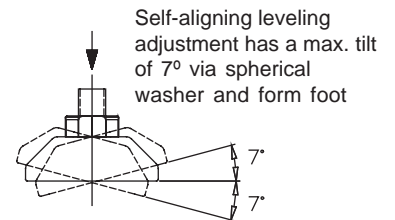
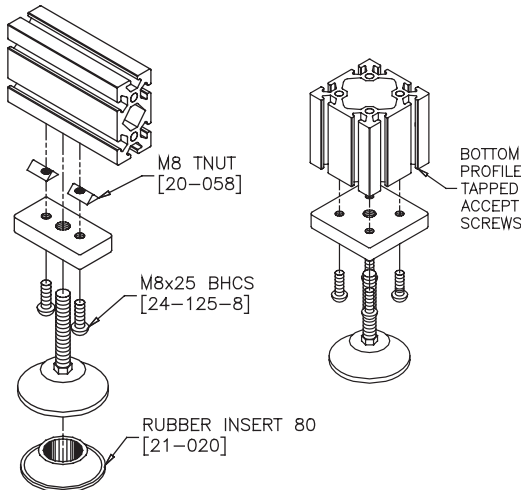
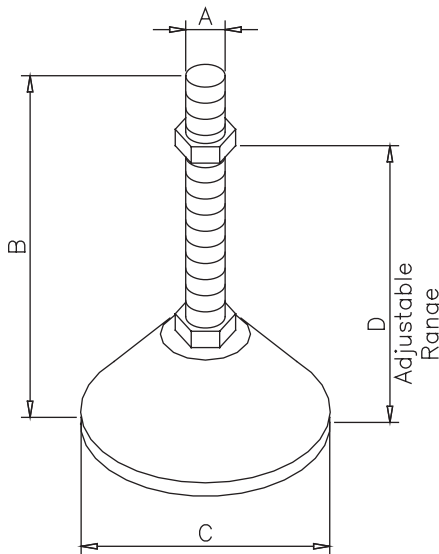
Adjustable height leveling foot for machine bases and other structures. Inclination adjustment is achieved via a ball cavity and socket. One size wrench adjusts both spindle and counter nuts. Both M8 and M10 feet can be attached to a serviced profile.

### Technical Data

Base: glass-filled nylon, black  
Spindle and nut: St, galvanized  
Max load: 1500 N (337 lbs)

Dimensions (mm)					Weight	
A	B	C	D <sub>min</sub>	D <sub>max</sub>	g	Part #
M8	60	39	32	50	37	21-008
	80			65	43	21-009
M10	80		34	65	66	21-012

# Knuckle Foot 80



### Application

Adjustable height leveling foot for heavy duty structures. Require appropriate base plate for mounting.

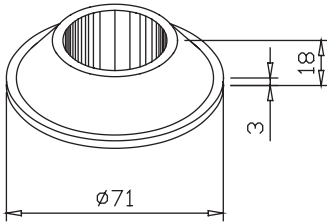
### Technical Data

Base: Zn cast, black E-coated  
Spindle and nut: St, galvanized  
Max. load 10,000 N (2,250 lbs)

Dimensions (mm)					Weight (kg)		
A	B	C	D <sub>min</sub> *	D <sub>max</sub>	(kg)	Part #	
M12	100	76	41	80	0.29	21-013	
	160			140	0.33	21-014	
M16	100		45	140	80	0.36	21-016
	160				0.44	21-018	

\* D<sub>min</sub> is without nut

## Rubber Insert 80



- 1 Rubber Insert 80 in place
- 2 Insert fits inside open cavity of Knuckle Foot 80

### Application

For vibration-dampening and floor protection with the Knuckle Foot 80.

### Technical Data

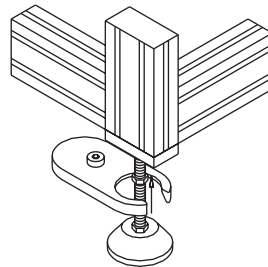
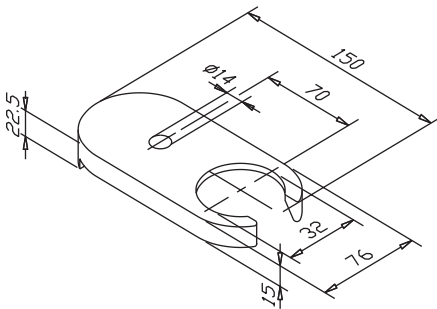
Rubber, black  
Hardness 80° Shore A  
Oil and water resistant

### Description

Rubber Insert 80

Unit	Weight	Part #
1 pc	50 g	21-020

## Clamping Shoe 80



### Application

Floor mounting fastener for Knuckle Foot 80.

### Technical Data

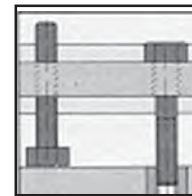
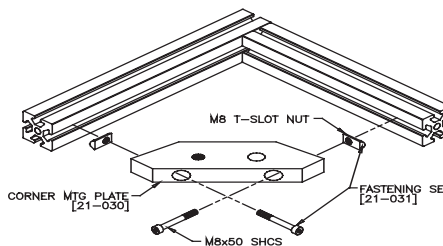
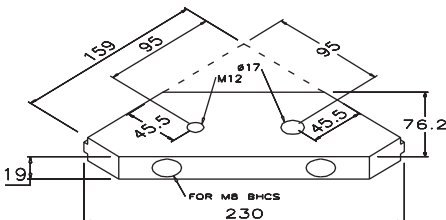
Zn cast, black powder coated

### Description

Clamping Shoe 80  
Floor Fastening Set

Unit	Weight	Part #
1 pc	.47 kg	21-021
1 set	.05 kg	21-032

## Corner Mounting Plate



Leveling and floor clamping attachment using hex bolts.

### Application

Mounting plate for knuckle feet for leveling structure and/or permanent placement of structures.

### Technical Data

Al, black powder coat

### Order all hardware separately.

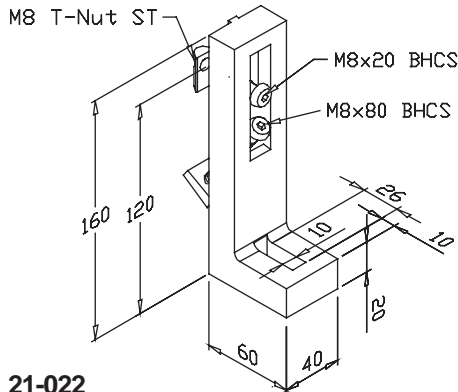
Profile Fast. Set (21-031): two M8x50 SHCS and two M8 T-slot Nuts St

### Description

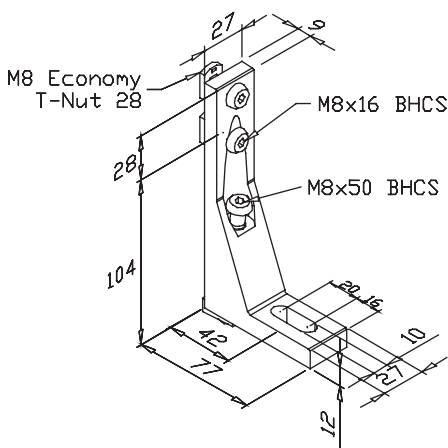
Corner Mounting Plate  
Profile Fastening Set  
Floor Fastening Set  
Leveling Screw (M12x45 SHCS)

Unit	Weight	Part #
1 pc	.74 kg	21-030
1 set	60 g	21-031
1 set	50 g	21-032
1 pc	50 g	21-033

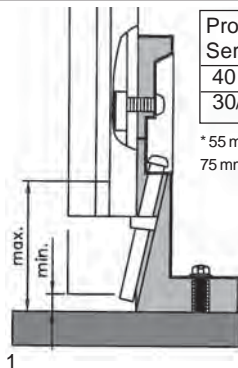
# L-Base Leveling Foot



21-022

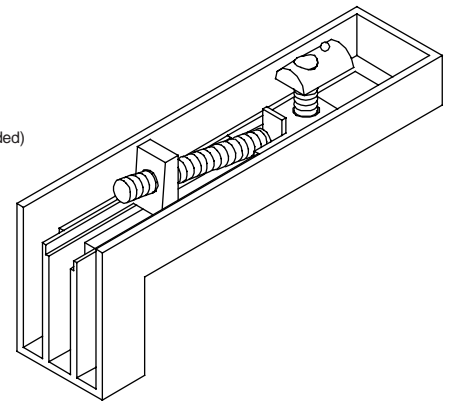
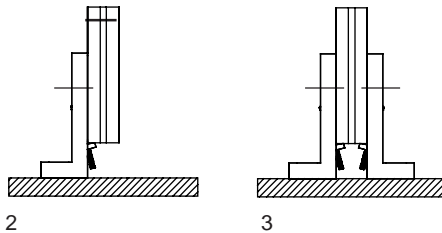


21-063



Profile Series	Dimensions(mm)	
	Min	Max
40	10	55/75*
30/28	8.5	31

\* 55 mm w/ partly threaded screw (provided)  
75 mm w/ fully threaded screw



- 1 Adjustable dimensions for 40 and 30/28
- 2 Extrusion with one L-Base Foot
- 3 Extrusion with two L-Base Feet in back to back configuration.

## Application

Leveling foot and fastener for light and heavy duty equipment. Height adjustment is from the top. T-slot fasteners from the side.

## Technical Data

21-022: Zn cast, black powder coated  
Max. vertical load - 10,000 N (2,250 lbs)

21-063: Al, anodized  
Max. vertical load - 6,000 N (1,350 lbs)

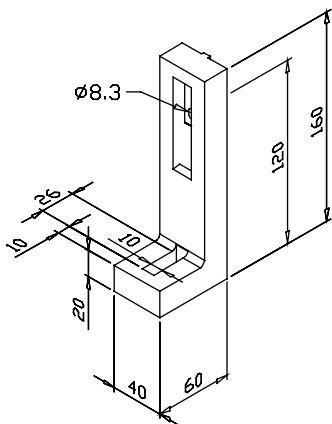
Include T-slot nuts, square nut and button head screws as shown.

## Description

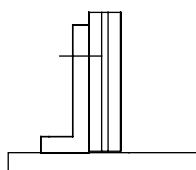
- L-Base Leveling Foot 40
- L-Base Leveling Foot 30/28
- Floor Fastening Set

Unit	Weight	Part #
1 pc	.28 kg	21-022
1 pc	.22 kg	21-063
1 set	.05 kg	21-032

# L-Base Floor Anchor 40 Non-Leveling



21-023



## Application

For attachment of light or heavy duty equipment to floors and walls.

## Technical Data

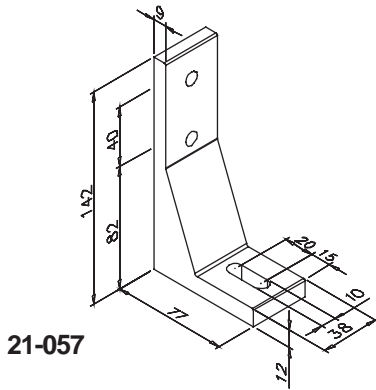
Zn cast, black powder coated  
Includes T-slot nut M8 and M8x20 BHCS

## Description

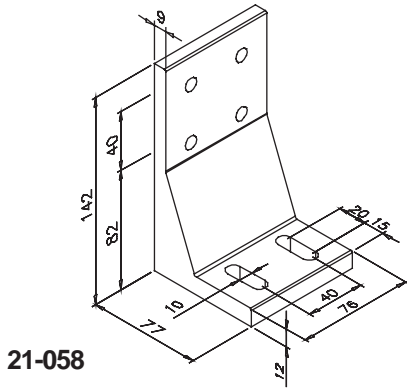
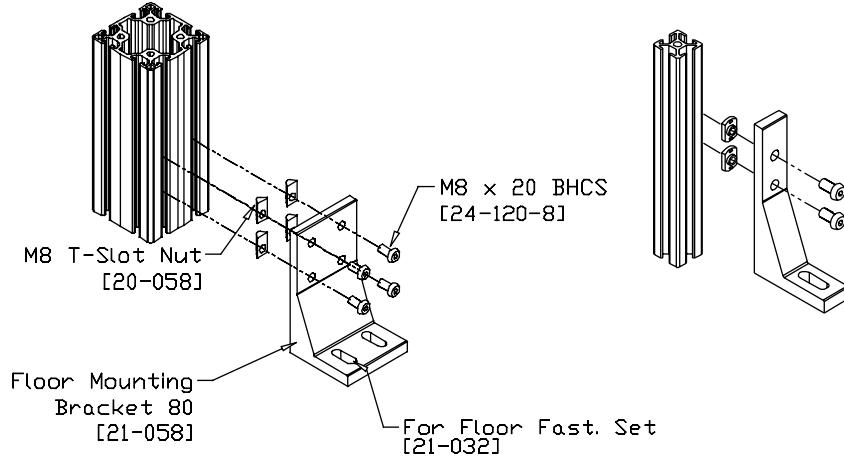
- L-Base Floor Anchor
- Floor Fastening Set

Unit	Weight	Part #
1 pc	.20 kg	21-023
1 set	.05 kg	21-032

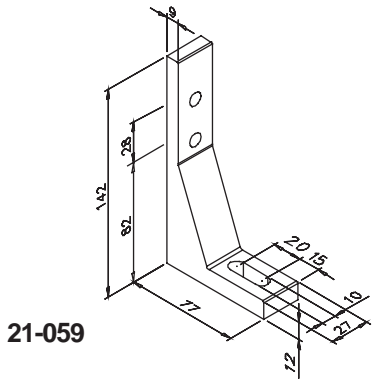
# Floor Mounting Bracket



21-057



21-058



21-059

### Application

Economical bracket for mounting structures to floor or wall. Mounts to T-slots of 40, 30 or 28 series profiles.

### Technical Data

Al, clear anodized

### Order all hardware separately.

40 series: M8 T-slot nut (20-058 or 20-081), M8x20 BHCS (24-120-8)

30 series: M8 T-slot nut (20-058 or 20-091), M8x18 BHCS (24-118-8)

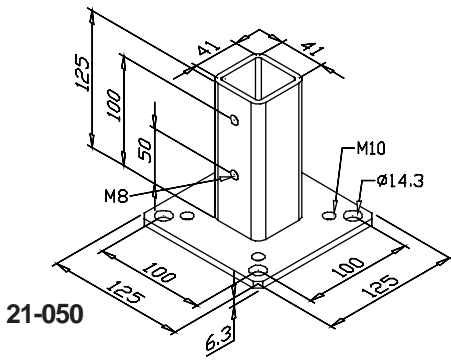
28 series: M8 T-slot nut (20-057 or 20-091), M8x16 BHCS (24-116-8)

### Description

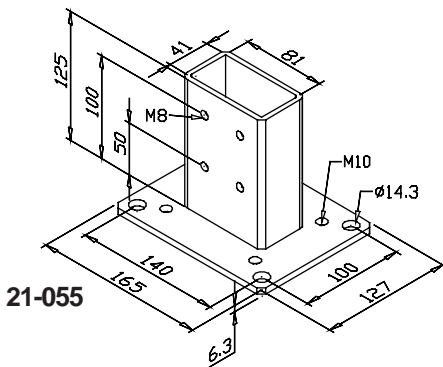
Floor Mounting Bracket 40  
Floor Mounting Bracket 80  
Floor Mounting Bracket 30/28  
Floor Fastening Set

Description	Unit	Weight	Part #
Floor Mounting Bracket 40	1 pc	.28 kg	21-057
Floor Mounting Bracket 80	1 pc	.57 kg	21-058
Floor Mounting Bracket 30/28	1 pc	.19 kg	21-059
Floor Fastening Set	1 set	.05 kg	21-032

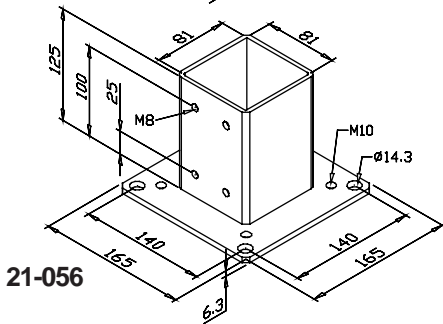
# Flange Foot



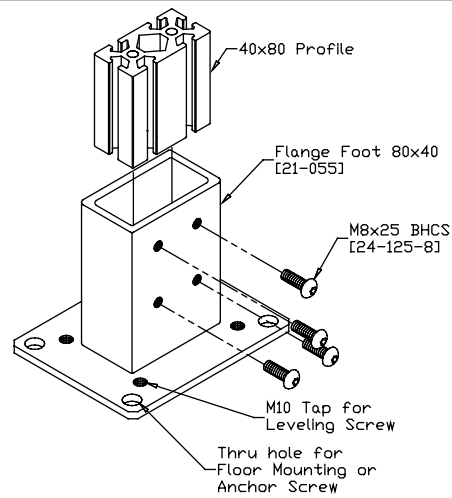
21-050



21-055



21-056



### Application

Heavy duty flange foot for attaching structures to floor. Tapped holes in base can be used for leveling 40 series profile only.

### Technical Data

St, black epoxy finish

### Order all hardware separately.

M8x25 BHCS (24-125-8) for clamping profile  
M10x25 flat point set screw (24-525-10F) for leveling.

### Description

Flange Foot 40x40  
Flange Foot 80x40  
Flange Foot 80x80

Unit	Weight	Part #
1 pc	1.55 kg	21-050
1 pc	2.19 kg	21-055
1 pc	2.79 kg	21-056

\*Other sizes available, contact your local service center

# Floor Fastening Set



### Application

For attaching floor mounting elements (L-base and flange feet, etc.) to floor.

### Technical Data

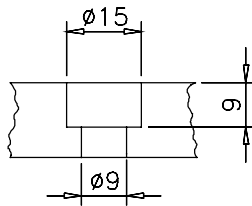
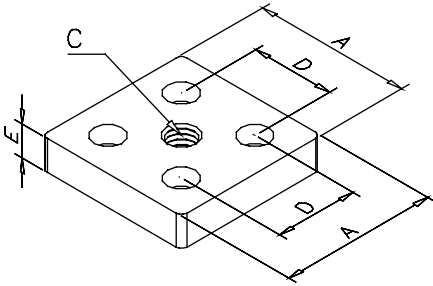
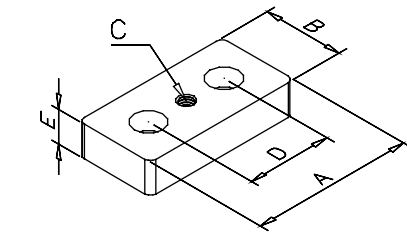
Concrete wedge anchor 3/8"-16 x 3 3/4", one washer, one 3/8"-16 hex nut

### Description

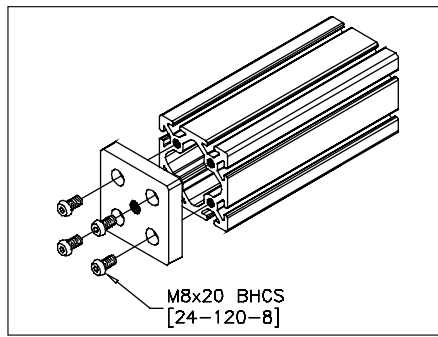
Floor Fastening Set

Unit	Weight	Part #
1 set	.05 kg	21-032

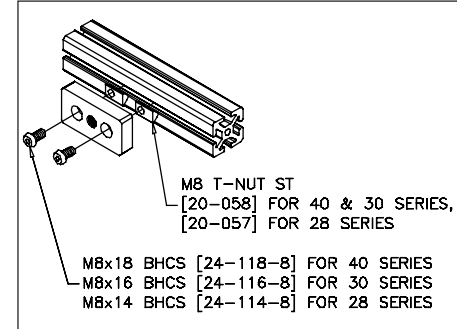
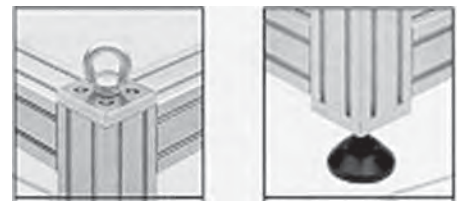
# Base Plate



Counter Bore



M8x20 BHCS  
[24-120-8]



M8 T-NUT ST  
[20-058] FOR 40 & 30 SERIES,  
[20-057] FOR 28 SERIES

M8x18 BHCS [24-118-8] FOR 40 SERIES  
M8x16 BHCS [24-116-8] FOR 30 SERIES  
M8x14 BHCS [24-114-8] FOR 28 SERIES

### Application

Bolts to cut off face of profiles for mounting lifting eyes and leveling feet.

### Technical Data

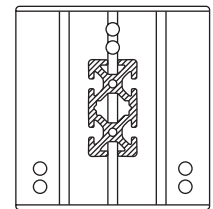
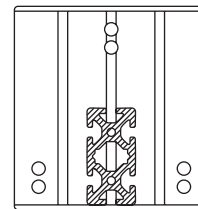
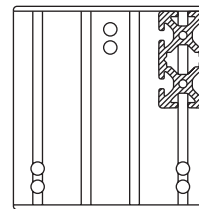
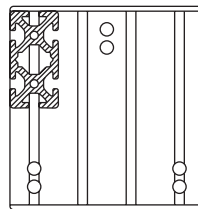
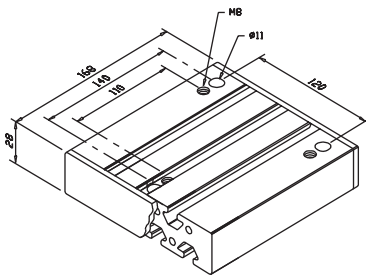
St, zinc plated  
Thickness (dim E): 15.9 mm

Order all hardware separately.

Profile Series (Dim D)	Dimensions (mm)			Weight (kg)	Part #
	A	B	C		
40	76	38	M10	.32	21-002
			M12	.31	21-024
			M16	.30	21-025
		76	M10	.64	21-003
			M12	.64	21-026
			M16	.63	21-027
30	60	30	M8		21-029-8
		60	M10		21-034-10
28	54	25.4	M8	.15	21-004
			M10	.15	21-005
			M12	.14	21-006
45*	90	45	M12	.41	17-124

\* Counterbore details for 17-124: Dia.13, Dia. 23 x 8.5 Dp.

# Base Plate 160



### Application

For attaching and leveling profiles to the floor. The profile may be mounted anywhere in the T-slot. Base plate has a staggered T-slot pattern on opposite sides.

### Technical Data

Profile 160x28  
Includes three M8x30 set screws, three 3/8" x 3 3/4" anchor bolts and two end caps 160x28













**Description**  
Base Plate 160

**Unit** 1 set  
**Weight** 1.6 kg  
**Part #** 21-039



# Casters

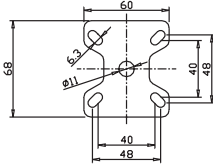
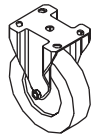
Casters are available for rigid, swivel, braking or total locking applications. Load capacities range from 40 - 263 kg (88 - 580 lbs). Applications include mobile carts, tables, and heavy duty mobile structures such as equipment frames and carts.

WHEEL DIA	LOAD kg (lbs)	RIGID	SWIVEL	LOCKING
50 mm (2")	40 kg (88 lbs)		 21-091	 21-092 (Wheel Brake)
		 21-070 (Top Plate)	 21-071	 21-072 (Total Lock)
75 mm (3")	55 kg (121 lbs)	 21-120	 21-121	 21-122 (Total Lock)
		 21-130 (Top Plate)	 21-131 (Top Plate)	 21-132 (Top Plate & Total Lock)
			 21-133 (Triangular Plate)	
125 mm (5")	100 kg (220 lbs)			
	263 kg (580 lbs)			

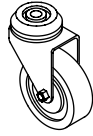
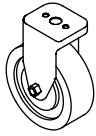
2

# Casters

21-070

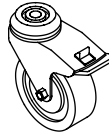
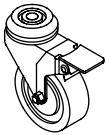


21-120



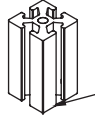
21-091, 21-071  
21-121

21-092



21-072, 21-122

40 SERIES PROFILE  
HEAVY OR STANDARD



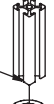
PROFILE IS TAPPED M10



M10 SPRING WASHER [24-708-10]  
AND M10 BHCS [24-1xx-10]  
(MIN LENGTH = 15mm+DIM "T")

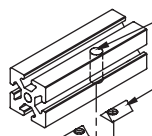
40 SERIES LIGHT, 30,  
or 28 SERIES PROFILE

PROFILE IS TAPPED M8



M10 SPRING WASHER [24-708-10]  
M8 FLAT WASHER [24-700-8]  
AND M8 BHCS [24-1xx-8]  
(MIN LENGTH = 12mm+DIM "T")

40, 30, or 28  
SERIES PROFILE



DEPENDENT ON M10 SCREW LENGTH  
CLEARANCE HOLE MAY BE REQUIRED

M8 T-SLOT NUT  
[20-058] FOR 40 & 30 SERIES,  
[20-057] FOR 28 SERIES

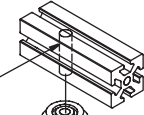
ANY M10 BASE PLATE  
80x40, 80x80, 28x56, 60x60  
[21-002, 21-003, 21-005, 21-034-10]

M8x18 BHCS [24-118-8] FOR 40 SERIES,  
M8x16 BHCS [24-116-8] FOR 30 SERIES,  
M8x14 BHCS [24-114-8] FOR 28 SERIES

M10 SPRING WASHER [24-708-10]  
AND M10 BHCS [24-1xx-10]  
(APPROX LENGTH = 15mm+DIM "T")

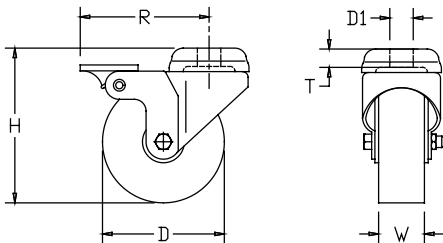
40 SERIES PROFILE  
HEAVY OR STANDARD

M10 THRU



M10 SPRING WASHER [24-708-10]  
AND M10 BHCS [24-1xx-10]  
(MIN LENGTH = 28mm+DIM "T")

Note: Screw length depends on caster dimension "T" and mounting method



## Application

For mobile carts or tables. Center hole of profiles must be tapped for mounting with M8 or M10 screw. Casters can also be mounted to the profile side, either directly or using a base plate. Used with 40, 30 and 28 series profiles.

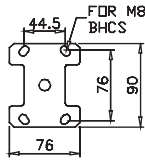
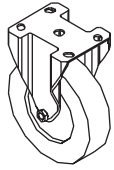
## Technical Data

Housing: pressed steel, zinc chromated with double ball bearing swivel head.

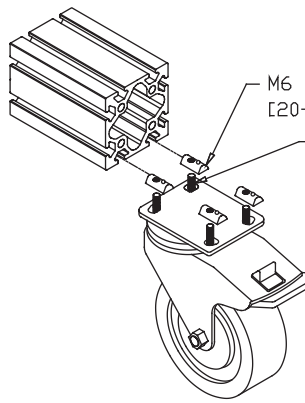
**Order all hardware separately**

Type	Dimensions (mm)						Load Capacity kg (lbs)	Weight kg	Wheel Tread	Wheel Center	Part #
	D	W	H	R	T	D1					
Swivel	50	19	68	50	7.8	10.3	40 (88)	0.21	Rubber, Grey Non-marking	Pressed Steel	21-091
Swivel with wheel Brake				70							21-092
Rigid w/Plate	75	25	100	-	1.6	11	55 (121)	.30	Antistatic Heavy Black	Pressed Steel	21-070
Swivel				62	3.5						21-071
Swivel with Total Lock				80	3.5						21-072
Rigid	125	32	160	-	2.2	10.3	100 (220)	0.92	Hard Soft Rubber	Solid Rubber	21-120
Swivel				106	12.2						21-121
Swivel with Total Lock				130	12.2						21-122

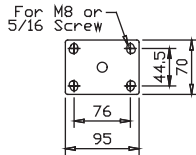
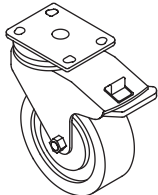
# Top Plate Casters



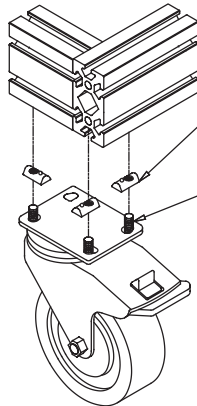
21-130



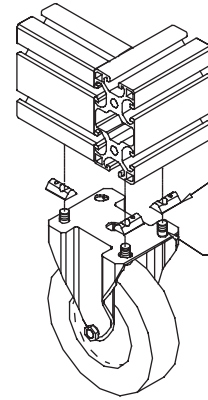
M6 T-SLOT NUT [20-056]  
M6x14 BHCS [24-114-6] W/  
M6 WASHER [20-025]  
(ORDER SEPARATELY)



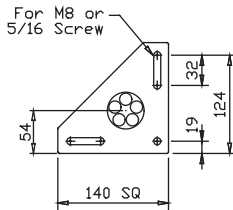
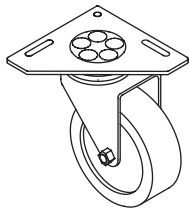
21-131, 21-132



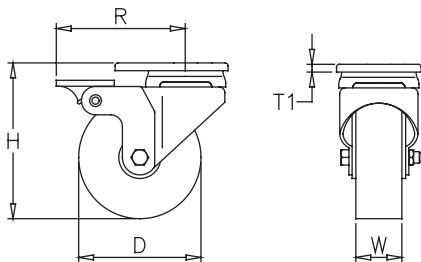
M8 T-SLOT NUT [20-058]  
M8x14BHCS [24-114-8]  
(ORDER SEPARATELY)



M8 T-slot Nut [20-058]  
M8x14 BHCS [24-114-8]



21-133



### Application

For heavy duty mobile structures such as equipment frames and carts. Mounting holes in various configurations.

### Technical Data

Housing: pressed steel, zinc chromated

Order all hardware separately

Type	Dimensions (mm)					Top Plate	Load Capacity kg (lbs)	Weight kg	Wheel Tread	Wheel Center	Part #
	D	W	H	R	T						
Rigid	125	32	160	45	2.5		100 (220)	0.99	Blue Grey Rubber	Ball bearings Pressed Steel	21-130
Swivel	125	32	162	106	2.5		100 (220)	1.14	Blue Grey Rubber	Pressed Steel	21-131
Swivel with Total Lock				130							1.29
Swivel	125	38	164	106	2.5		263 (580)	1.49	Phenolic	Roller Bearings	21-133