

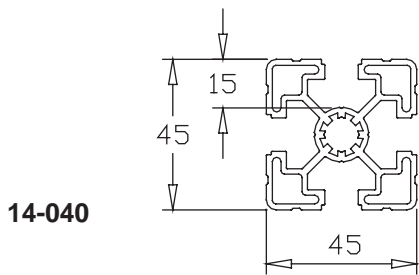
45 Series Profiles

Application

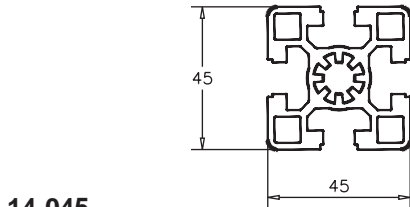
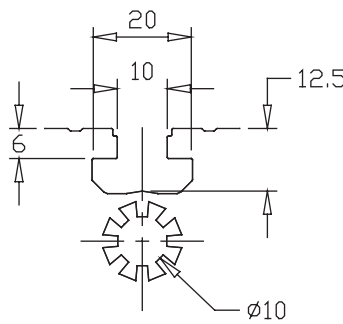
Profiles for general engineering structures. Widely used in automotive industry for constructing framework for assembly and conveyor lines. Compatible with all Bosch hardware.

Technical Data

Al, clear anodized

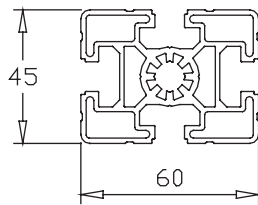


14-040



14-045

Order No.	I_x [cm ⁴]	I_y [cm ⁴]	W_x [cm ³]	W_y [cm ³]	Section [cm ²]	Weight [kg/m]
14-040	11.23	11.23	4.99	4.99	5.69	1.54
14-045	15.81	15.81	7.03	7.03	8.25	2.23
14-046	17.30	28.52	7.69	9.51	8.88	2.40
14-090	32.20	124.40	14.31	27.64	15.25	4.12



14-046

Description

Profile 45x45 Light

Unit

cut off max. 6M
pkg of 16 at 3M ea.
pkg of 16 at 6M ea.

Part

14-040
14-040-3
14-040-6

Profile 45x45

cut off max. 6M
pkg of 16 at 3M ea.
pkg of 16 at 6M ea.

14-045
14-045-3
14-045-6

Profile 45x60 Light

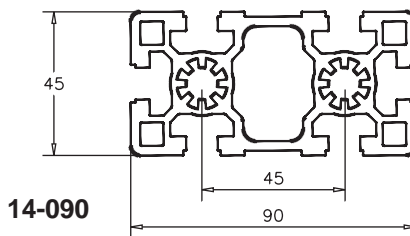
cut off max. 6M

14-046

Profile 45x90

cut off max. 6M
pkg of 8 at 3M ea.
pkg of 8 at 6M ea.

14-090
14-090-3
14-090-6

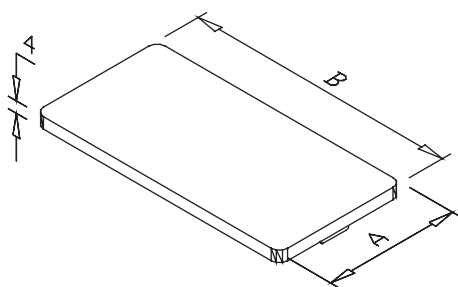


14-090

Saw cut necessary for cut to length

19-001

End Cap 45



Application

For covering exposed end of 45 series profiles.

Technical Data

Glass-filled nylon, black

Description

End Cap 45x45
End Cap 45x90
End Cap 45x60

Unit

1 pc
1 pc
1 pc

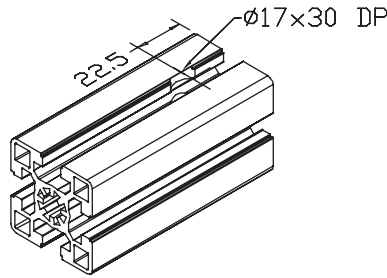
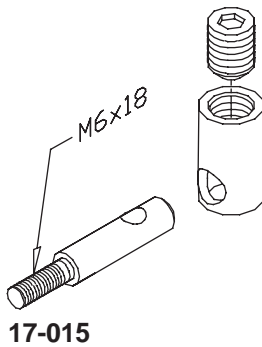
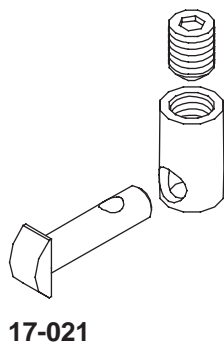
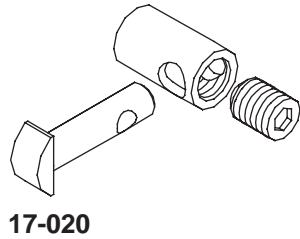
Weight

9 g
18 g
11 g

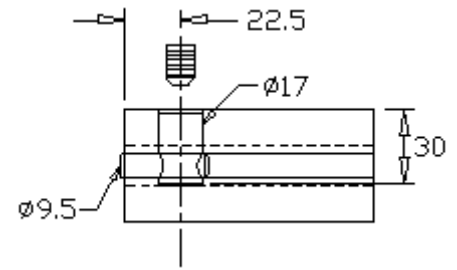
Part

17-813
17-814
17-815

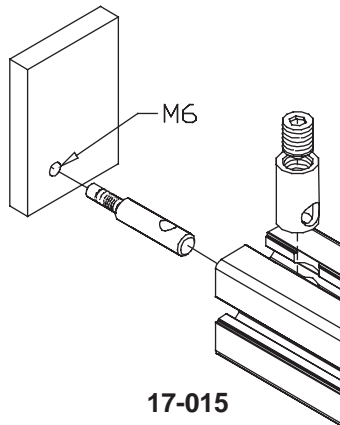
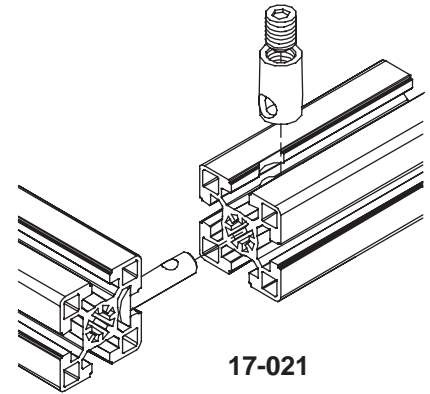
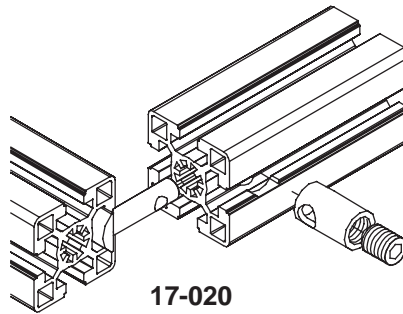
Barrel Type Connector 45



Typical Servicing



Typical Dimensions



Application

Quick connector provides quick and easy way of connecting 45 series profiles at right angle. Select one of two connectors that allows better acces to set screw. Profile-to-Wall connector is used for attaching 45 series profile to walls or metal panels. M6 tapped hole in the wall should be on the center line of the profile.

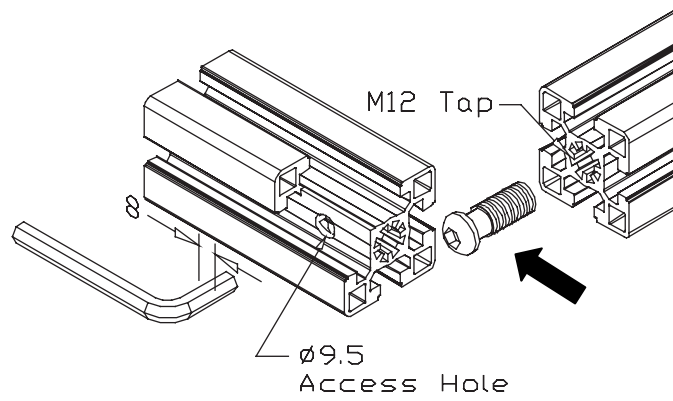
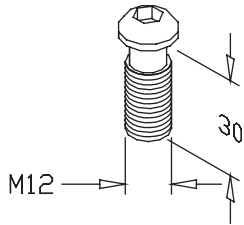
All connectors require 6mm hexagon wrench.

Technical Data

St, zinc plated

Description	Unit	Weight	Part #
Quick Connector 45, Horizontal Access	1 set	58 g	17-020
Quick Connector 45, Vertical Access	1 set	58 g	17-021
Profile-to-Wall Connector 45	1 set	55 g	17-015

Connection Screw



Application

Used for right angle connection of 45 series profiles.

Technical Data

St, zinc plated
Recommended torque 35Nm

Description

Connection Screw M12x30

Unit

1 pc

Weight

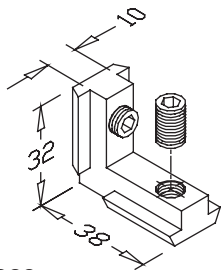
g

Part #

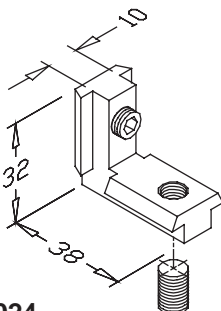
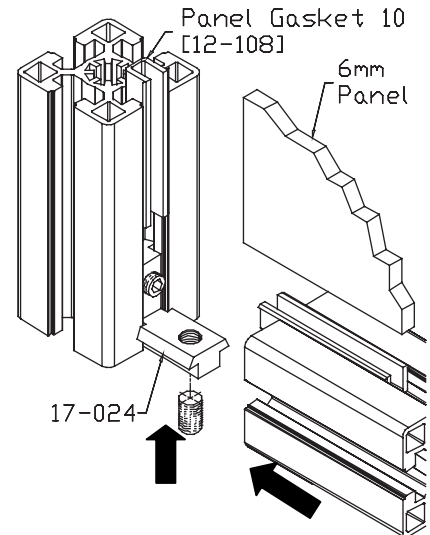
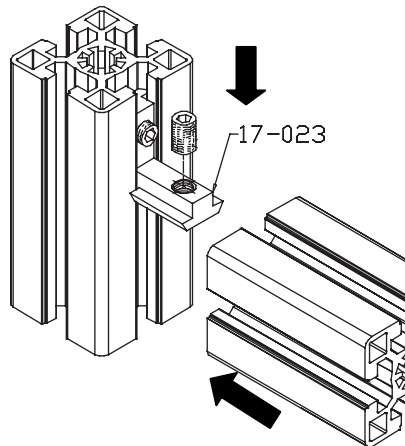
17-130-12

T-Slot Connector 45

3



17-023



17-024

Application

Allows concealed right angle connection of 45 series profiles. No machining of profile is required. Inside connector (17-023) allows easy adjustability. Outside connector (17-024) leaves inner T-slots unobstructed for panel installation. Cross member profile can be positioned at any location. Connector must be inserted from end face of profile. Requires using 4mm hexagon wrench.

Technical Data

Brass, die cast, plated
Includes two M8x12 set screws

Description

T-Slot Connector 45, Inside
T-Slot Connector 45, Outside

Unit

1 set

Weight

50 g

Part #

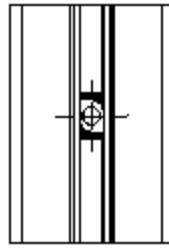
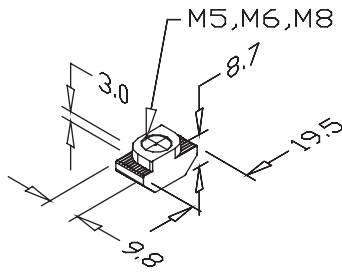
17-023

1 set

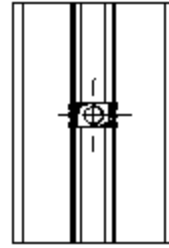
52 g

17-024

T-Slot Nut 45



insert



turn & tighten

Application

Universal mounting element for 45 series profiles. Can be inserted into 10mm T-slot at any location.

Technical Data

St, zinc plated
Color : M5, M8 - silver
M6 - gold

Description

T-Slot Nut 45, M5
T-Slot Nut 45, M6
T-Slot Nut 45, M8

Unit

1 pc
1 pc
1 pc

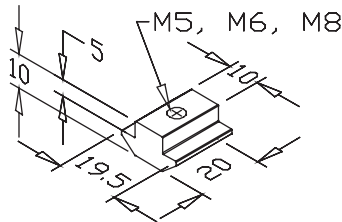
Weight

7 g
7 g
7 g

Part

17-042
17-046
17-048

HD T-Slot Nut 45



Application

Universal mounting element for 45 series profiles. HD T-Slot nut slides into profile from end face.

Technical Data

St, zinc plated

Description

HD T-Slot Nut 45, M5
HD T-Slot Nut 45, M6
HD T-Slot Nut 45, M8

Unit

1 pc
1 pc
1 pc

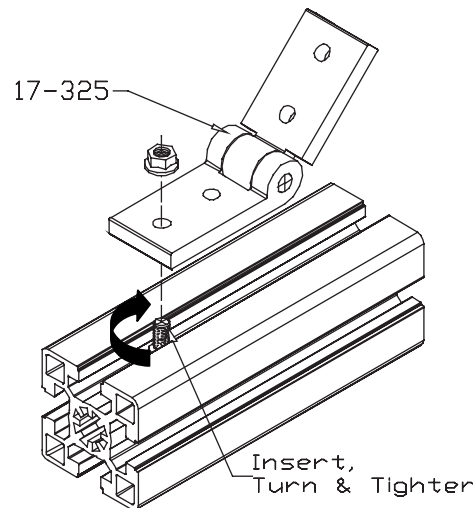
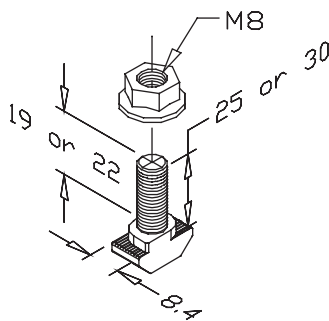
Weight

19 g
20 g
18 g

Part

17-052
17-056
17-058

T-Bolt 45



Application

Threaded stud with head that fits into 10mm T-slot. Used to attach equipment and fixtures to 45 series profiles. Can be inserted into the T-slot at any location.

Technical Data

St, zinc plated
Includes hex flange lock nut.

Description

T-Bolt 45, M8x25
T-Bolt 45, M8x30

Unit

1 set
1 set

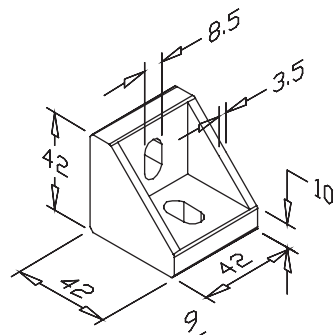
Weight

21 g
21 g

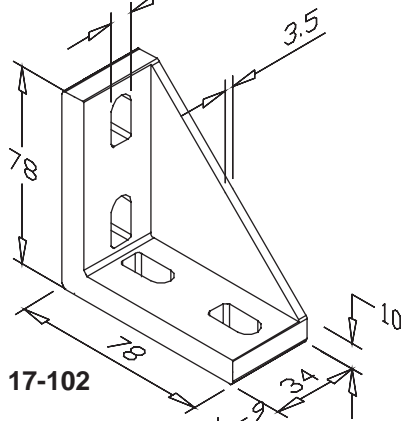
Part

17-425-8
17-430-8

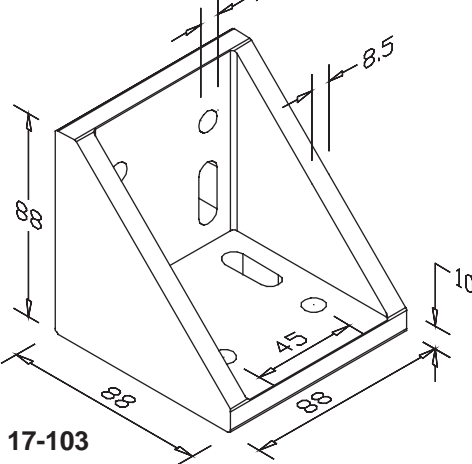
Gusset Bracket 45



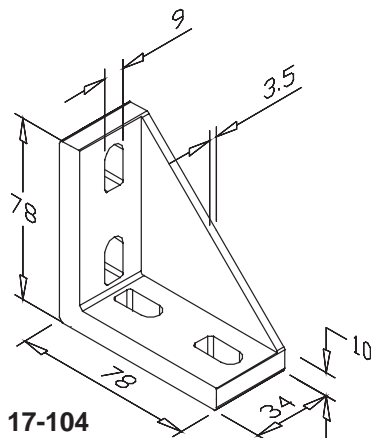
17-101



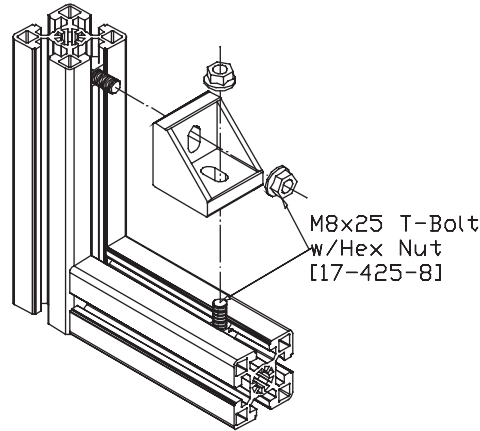
17-102



17-103



17-104



M8x25 T-Bolt
w/Hex Nut
[17-425-8]

Application

External element for attaching 45 series profiles at right angle. Can also be used as additional bracing at joints. No machining of profile is required. T-slot alignment tabs on the back of bracket provide easy positioning. If required they can be easily removed with a screw driver.

Technical Data

Al, cast

Order all hardware separately.

M8x25 T-Bolt 45 with hex flange nut (17-425-8), one per hole.

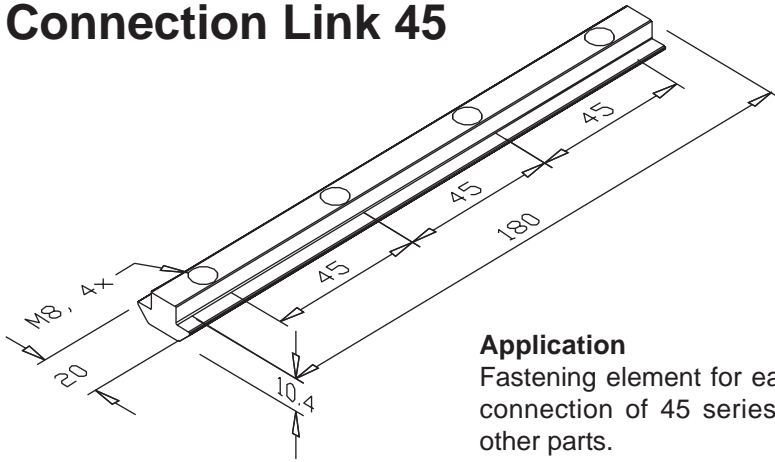
Description

- Gusset Bracket 42x42
- Gusset Bracket 78x34
- Gusset Bracket 88x88
- Gusset Bracket 88x39

Unit	Weight	Part #
1 pc	51 g	17-101
1 pc	89 g	17-102
1 pc	330 g	17-103
1 pc	155 g	17-104

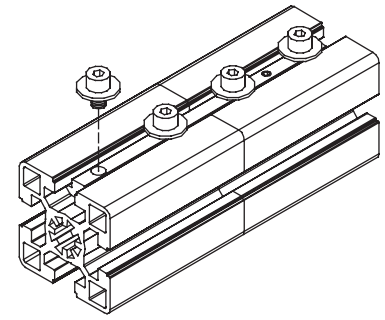
3

Connection Link 45



Application

Fastening element for easy and rigid connection of 45 series profile and other parts.



Technical Data

St, zinc plated
Includes four M8x12 SHCS, four M8 fender washers.

Description

Connection Link 45

Unit

1 set

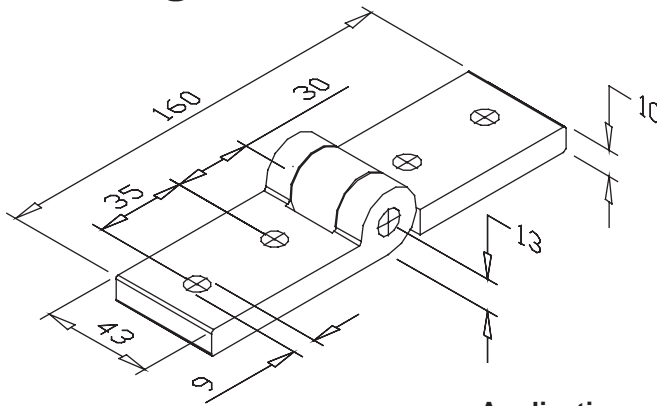
Weight

181 g

Part

17-050

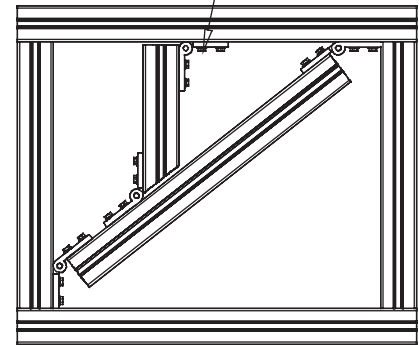
Floating Pivot Joint



Application

For easy attachment of gusset members at various angles.

M8x25 T-Bolt 45 w/ Hex Flange Nut



Technical Data

Al, clear anodized

Order all hardware separately.

M8x25 T-Bolt 45 w/ hex flange nut (17-425-8), one per hole

Description

Floating Pivot Joint

Unit

1 pc

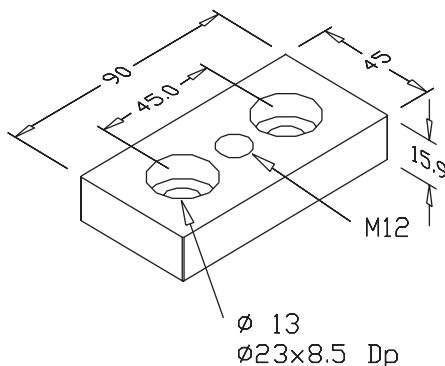
Weight

236 g

Part

17-325

Base Plate

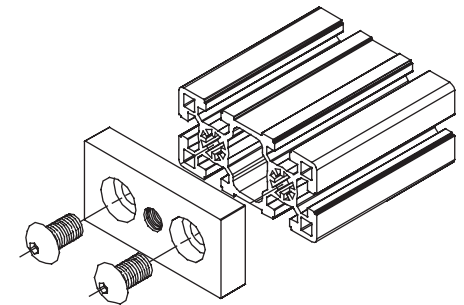


Application

Bolts to the end or side of profiles for mounting of leveling feet or eyebolts. (See page 79 for M12 Knuckle Foot).

Technical Data

St, zinc plated



Description

Base Plate 45x90, M12

Unit

1 pc

Weight

408 g

Part

17-124

Medium Duty Plastic Hinge

Application

Plastic hinges for constructing medium duty guard/enclosure doors for 45 series profiles. Hinges are offered in two types: *removable* (for left and right side mount) and *non-removable*. Alignment pins for 8mm T-slot can be removed allowing hinge mount to a flat surface such as panel.

Order mounting hardware separately

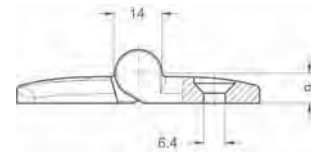
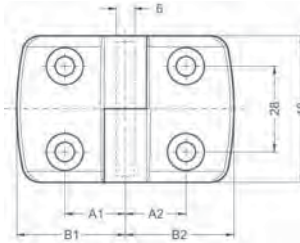
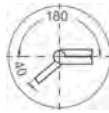
Profile 45: M6x16 FHCS (24-216-6) and M6 T-slot nut 45 (17-046)
Panel (6mm and 8mm): M6x20 FHCS (24-220-6) and M6 locknut (24-716-6)

Technical Data

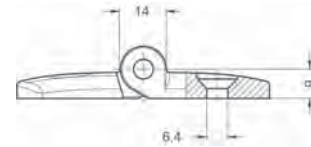
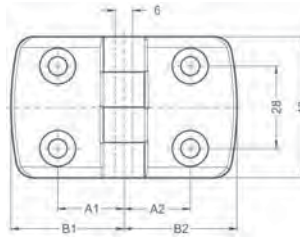
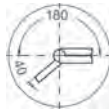
Glass-filled nylon, black with stainless steel pin
Max. torque - 100 Nm



Removable Hinge

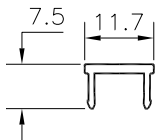


Non-Removable Hinge



Dimensions (mm)				Weight (g)	Mount to Profile	Hinge Type	Part #
A ₁	A ₂	B ₁	B ₂				
22.5	22.5	38.5	38.5	43	45/45 (0mm gap) 45 to Panel	Non-removable	23-545
				41		Left Side Mount	23-545L
						Right Side Mount	23-545R

Plastic T-Slot Cover



Application

Dust-tight cover provides aesthetic appearance and converts T-slot to a conduit available for wire routing.

Technical Data

PVC, black

17-111B

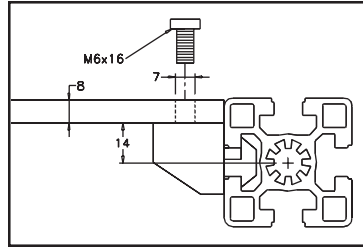
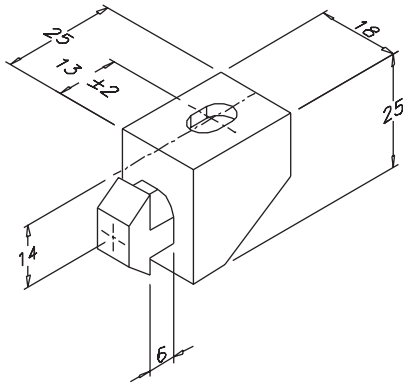
Description
PVC Cover Strip 45

Unit
1 pc at 2M

Weight
59 g

Part #
17-111B

Uniblock 45



Application

Mounting element for attaching panels to 45 series profiles. Insert uniblock into T-slot at any location and lock in position by turning 90° clockwise. Recommended gap around panel 1mm.

Technical Data

Glass-filled nylon, black
Square nut - zinc plated steel

Description

Uniblock 45, M6

Unit

1 pc

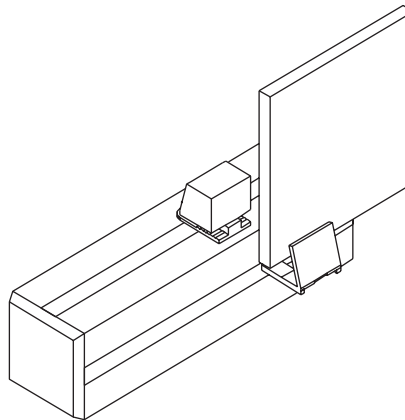
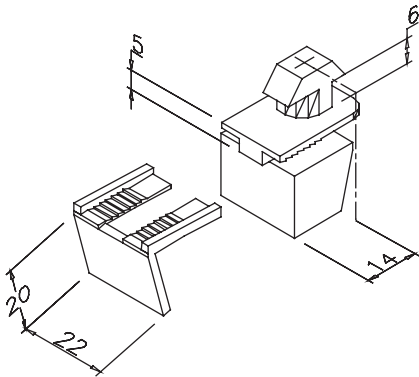
Weight

10 g

Part

17-113

Clamp Block



Application

Mounting elements for attaching panels 1-8 mm thick to 45 series profiles without using additional fasteners or machining the panel. Insert block into T-slot at any location and lock in position by turning 90° clockwise. Slide locking clip to secure the panel. To remove panel loosen locking clip with a flat screwdriver. Recommended gap around panel - 6 mm.

Technical Data

Glass-filled nylon, black

Description

Clamp Block 45

Unit

1 pc

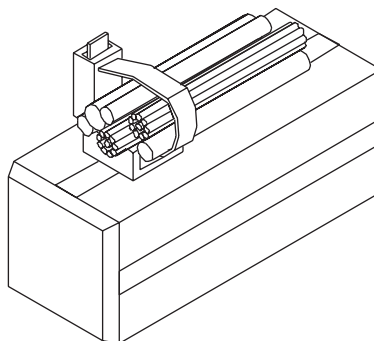
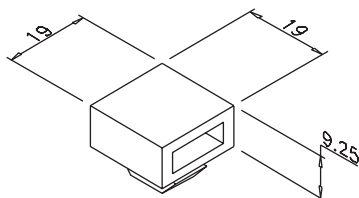
Weight

8 g

Part

17-112

Cable Tie Holder



Application

Mounting element for fast and easy securing open wiring or tubing to 45 series profiles with plastic tie (not included). Insert holder into T-slot at any location and lock in position by turning 90° clockwise.

Technical Data

Glass-filled nylon, black

Description

Cable Tie Holder, 45

Unit

1 pc

Weight

5 g

Part

17-201